

CE-IDX40(B)

Indoor True D/N Dome Camera

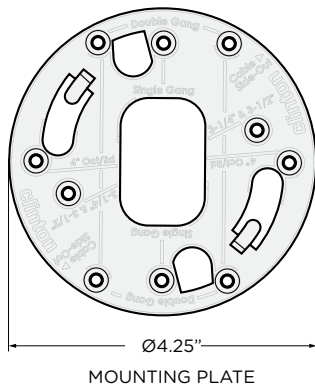
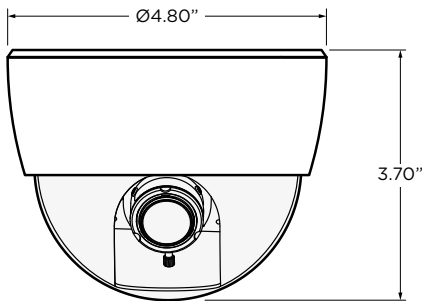


CE-IDX40B (Blk)

KEY FEATURES:

- 1/3" SONY Exmor 1.3 MP CMOS
- 1,000 TVL Resolution
- 2.8-12mm (f1.4) True D/N Lens
- S7 Digital Signal Processor
- OSD Menu Control via Built-In Joystick or CE-REMOTE
- Mounts to large variety of Conduit Boxes
- RVM* (Rated Voltage Monitoring)
- DC12V/AC24V
- UL Listed

DIMENSIONS:



MOUNTING PLATE

CAMERA	
Image Sensor	1/3" SONY 1.3 Megapixel CMOS Exmor Sensor
Resolution	1,000 TVL
Effective Pixels	1305 (H) x 1049 (V), 1.37M Pixels
Scanning System	Progressive
S/N Ratio	52dB
Sync System	Internal
Minimum Illumination	0.00001 Lux (Sens-Up x64)
Shutter Speed	1/60 - 1/60,000 sec.
Lens	2.8-12mm (f1.4) True D/N Lens
Filed of View	92° - 28° (Horizontal)
Video Output	1.0 Vp-p, 75Ω
Frequency	Horizontal: 15.734 KHz, Vertical: 59.94 Hz
Power Requirement	DC12V / AC24V
Power Consumption (Max, +/- 10%)	DC12V: Max. 180mA AC24V: Max. 80mA
Operating Temperature	32°F - 113°F / 0°C - 45°C
Operating Humidity	90% RH Max.
Weather Rating	n/a - Indoor Use Only
Mounts to Conduit Boxes	Single Gang, Double Gang, 3/4" & 3/2" Boxes, or 4" Octagon/Round Boxes
IR LEDs	n/a
Heaters/Fan	n/a
Materials	Plastic Case w/Polycarbonate Dome
Dimensions	4.80" (Dia.) x 3.70" (H) / 121.9mm (Dia.) x 93.9mm(H)
Weight	0.60 lbs / 0.27 kg

OSD	
DSP Type	S7
Menu Control	OSD Menu Control via Built-In Joystick or CE-REMOTE
Exposure	Brightness, Shutter, AGC, Sens-Up
White Balance	ATW, AWB, AWC-Set, Manual
Backlight	HLC, BLC, WDR
DNR (3DNR)	Off, Low, Middle, High
Day & Night	Auto, Extern, Color, B&W
Image	Sharpness, Gamma, Pedestal, Color Gain, Image Flip
System	Comm, View Angle, CVBS, Language
Special	D-Zoom, D-WDR, Defog, Shading, Privacy, Motion Tracking & Quick Zoom
Motion Detection	4 Areas
Privacy Masking	15 Zones
Languages	English, Chinese, Japanese, Korean

RVM - Rated Voltage Monitoring	
LED COLOR	STATUS
GREEN	Correct Voltage (DC12V / AC24V)
RED - SOLID	Over Voltage: >29 Volts (AC24V)
RED - BLINK	Under Voltage: <10 Volts (DC12V)

ACCESSORIES	
CE-REMOTE	Plug in OSD remote
CE-IDXWB (White)	Wall Bracket for IDX Series Cameras
CE-IDXPC (White)	Pendant Cap for IDX Series Cameras
CE-IDXDPC (White)	Deep Pendant Cap for IDX Series Cameras
CE-IDXWBB (Black)	Wall Bracket for IDX Series Cameras
CE-IDXPCB (Black)	Pendant Cap for IDX Series Cameras
CE-IDXDPCB (Black)	Deep Pendant Cap for IDX Series Cameras

*RVM (Rated Voltage Monitoring) indicates correct/incorrect voltage at camera with LED indicator light. RVM helps prevent premature camera failure do to under or over-powered cameras.