

CE-PTZ10XHD-RM

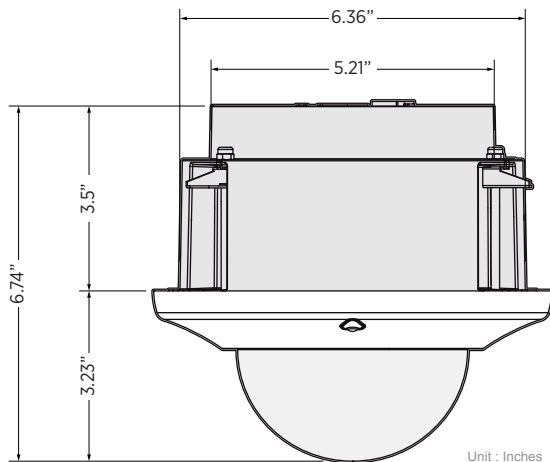
HD-SDI TDN Indoor Recess Mount 10x PTZ



KEY FEATURES:

- 1/3" 2MP Panasonic CMOS sensor
- 1080p @ 30/60 fps, 720p @ 60 fps
- HD-SDI (1080p) and CVBS (700 TVL) video outputs
- 5.1-51mm (f1.6-f1.8) True D/N Lens
- 10x Optical Zoom & 32x Digital Zoom
- 255 Presets, 8 Tours, 8 Scans, 4 Patterns, 16 Areas, 2 Alarms
- 360° Pan Rotation/ 0° to 90° Tilt
- RS-422/485 communication
- 2 Alarm Inputs / 2 Alarm Outputs
- DC12V or AC24V (Power Supply sold separately)
- Multiple Protocols supported
- Low-profile design mounts into most surfaces
- Screw-activated Mounting Wings
- Requires minimum 4.5" installed depth, 6.5" cut-out

DIMENSIONS:



CAMERA	
Image Sensor	1/3" Panasonic CMOS
Resolution	Full HD 1080p @ 30 fps
Effective (Active) Pixels	1944(H) x 1092 (V) = 2.12M Pixels
Scanning System	Progressive
Resolution	HD-SDI: 1080p @ 30/60fps, CVBS: 700 TVL
Minimum Illumination	Day: 0.5 Lux Night: 0.1 Lux
S/N Ratio	More than 50dB (AGC Off)
Shutter Speed	1/30(25) - 1/30,000 sec
Video Output	HD-SDI x 1, CVBS x 1
LENS	
Lens Type	x10 True Day/Night Zoom Lens, Auto Focus
Zoom Ratio	Optical x10, Digital x32 Zoom
Focal Length	5.1-51mm (f1.6 to f1.8)
Angle of View (Horizontal)	54° (Wide) 4.9° (Tele)
PAN / TILT	
Pan Rotation Range	360° Continuous, 0.1° to 120°/sec (proportional to zoom)
Pan Speed	250°/sec, ± 0.1° Accuracy
Tilt Range	0° to 90° movement, 0.1°-120°/sec (proportional to zoom)
Tilt Speed	250°/sec, ± 0.05° Accuracy
FUNCTIONS	
Presets	255 Presets
Tours	8 Programmable Preset Tour Sequences
Scans	8 Programmable Scan Sequences
Patterns	4 Self-Learning Pattern Sequences for 60 sec.
Area	16 Area
Group	6 Groups (Max 6 Tours Programmable in Group)
Alarm	2 Programmable Alarms (2 Outputs)
ID Address	Up to 255 selectable (w/ rotary switches)
Data Communication	RS-485 / RS-422
Protocols	Multiple Protocols (Clinton, Pelco D, Pelco P, AD)
Baudrate	2400, 4800, 9600, 19200, 38400, 57600, 115200 bps
OSD SETTINGS	
Camera Title	ID / Title / Zoom Ratio / System Message
Day & Night	Auto / Day / Night / Ext-in
WDR / BLC	Off / WDR / BLC / HLC
ACE	Off / Low / Middle / High
DNR (2D + 3D)	Auto / Off / Low / Middle / High
Defog	Off / On(Auto / Manual)
Digital Image Stabilizer	Off / On
Privacy Mask	Off / On (24 positions)
Digital Slow Shutter	Off /x2 /x4 (/ x8 : 60 or 50fps mode only)
Gain Control	Off / On
White Balance	Auto / One Push / Manual / Indoor / Outdoor
E. Zoom	Off / x2 - x32
Digital Flip	Off / H / V / H&V
GENERAL	
Power Source	DC12V or AC24V (Power Supply Sold Separately)
Power Consumption	DC12V: Operation 650mA / Max 1.3A (15.6 Watts) AC24V: Operation 250mA / Max .5A (12 Watts)
Operating Temperature	14°F - 122°F / -10°C - 50°C
Operating Humidity	0-90% RH
Weather Rating	n/a - Indoor Use Only
Material	Plastic Housing & Polycarbonate Dome
Dimensions *Without bracket	6.36" (Dia.) x 6.74" (H) / 161.544mm (Dia.) x 171.196mm (H)
Weight *Without bracket	3 lbs / 1.361 kg
ACCESSORIES	
CE-PTZKEYB	3 Axis PTZ Controller/Keyboard