

CE-VX15(B)

Vandal X D/N Dome Camera

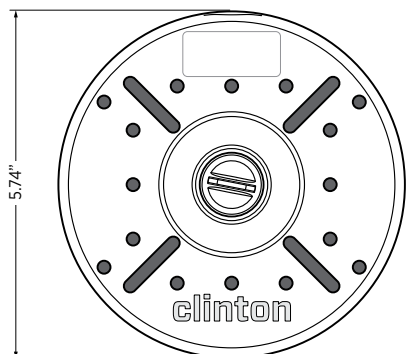
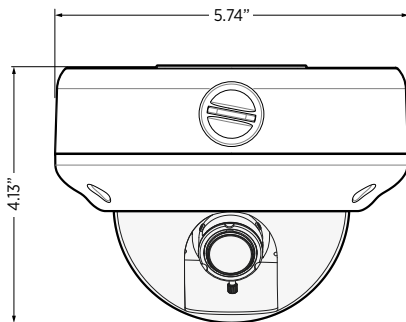


CE-VX15B (Blk)

KEY FEATURES:

- 1/3" Sharp CCD
- 600 TVL Resolution
- 2.8-12mm (f1.4) Lens
- NX3 Digital Signal Processor (DSP)
- OSD Menu Control via Built-In Joystick or CE-REMOTE
- Mounts to large variety of Conduit Boxes
- RVM* (Rated Voltage Monitoring)
- IP68 Weather Rated
- DC12V/AC24V
- UL Listed

DIMENSIONS:



BOTTOM VIEW

CAMERA	
Image Sensor	1/3" Sharp CCD
Resolution	600 TVL
Effective Pixels	768 (H) x 494 (V)
Scanning System	2:1 Interlace
S/N Ratio	50dB (AGC Off)
Sync System	Internal
Minimum Illumination	0.15 Lux (Color)
Shutter Speed	Auto / Manual (1/60 - 1/100,000)
Lens	2.8-12mm (f1.4) Lens
Video Output	1.0 Vp-p, 75Ω
Frequency	Horizontal: 15.734 KHz, Vertical: 59.94 Hz
Power Requirement	DC12V / AC24V
Power Consumption (Max. +/- 10%)	DC12V: Max. 130mA AC24V: Max. 70mA
Operating Temperature	-20°F - 122°F / -28.8°C - 50°C
Operating Humidity	95% RH Max.
Weather Rating	IP 68
Mounts to Conduit Boxes	Single Gang, Double Gang, 3/4" & 3/2" Boxes, 4" Oct/Rnd/Square Boxes & 4 1/16" Square Boxes
IR LEDs	n/a
Heaters/Fan	n/a
Materials	Aluminum Case w/Polycarbonate Dome
Dimensions	5.74" (Dia.) x 4.13" (H) / 145.8mm (Dia.) x 104.9mm (H)
Weight	1.7 lbs / 0.77 kg

OSD	
DSP Type	NX3
Menu Control	OSD Menu Control via Built-In Joystick or CE-REMOTE
Lens	Brightness, Iris Speed
Exposure	Shutter, AGC, DWDR
White Balance	ATW1, AWC Set, Anti Color Roll, Manual
Digital Dynamic Range	Yes (DWDR)
Backlight Control	BLC, HLC
Day/Night	Auto, Color, B&W, External
DPC	Dead Pixel Compensation
Special	Cam Title, Motion, Privacy, Park Line, Image Adj, Comm Adj, Language
Motion Detection	4 Areas
Privacy Masking	8 Zones
Languages	English, Chinese

ACCESSORIES	
CE-REMOTE	Plug in OSD remote
CE-VXWB(B)	Wall Bracket (White or Black)
CE-VXAP(B)	Adapter Plate for Wall Bracket
CE-VXD(C)(B)	Deep Case. Additional 1.1" of space. (White or Black)
CE-VXPC	Pendant Cap. Mounts to poles or conduit.
CE-VXDPC	Deep Pendant Cap. Additional 1.1" of space.
CE-VXRM(B)	Recess Mount (White or Black)
CE-VXPCSS	Vandal X Stainless Steel Pendant Cap

RVM - Rated Voltage Monitoring	
LED COLOR	STATUS
GREEN	Correct Voltage (DC12V / AC24V)
RED - SOLID	Over Voltage: >29 Volts (AC24V)
RED - BLINK	Under Voltage: <10 Volts (AC24V)

*RVM (Rated Voltage Monitoring) indicates correct/incorrect voltage at camera with LED indicator light. RVM helps prevent premature camera failure do to under or over-powered cameras.

CERTIFICATIONS:

