

CE-VX1HD(B)L

EX-SDI 2.0 True D/N Vandal X

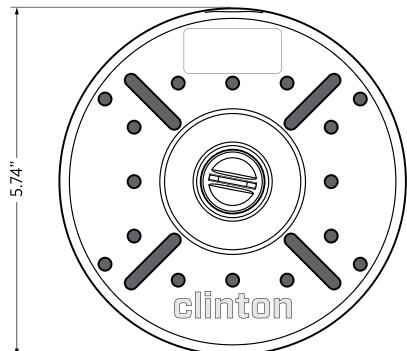
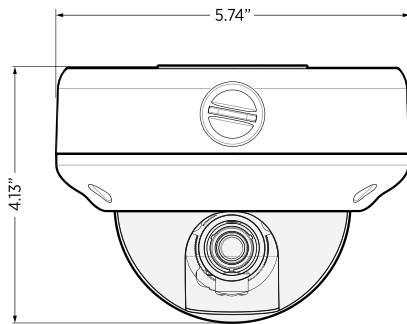


CE-VX1HDBL (BIK)

KEY FEATURES:

- 1/2.8" SONY Starvis 2.13 Megapixel CMOS Sensor
- 1080p @ 30fps Over RG59 Coax
- 2.8-8mm (f1.6) True D/N Autofocus Lens
- EX-SDI 2.0 / HD-SDI & HD Analog outputs
- EXHD Lite 2.0
- OSD Menu Control via UCC*, Built-in Joystick or CE-REMOTE
- Mounts to large variety of Conduit Boxes
- RVM** (Rated Voltage Monitoring)
- DC12V/AC24V
- IP68 Weather Rated
- UL Listed

DIMENSIONS:



BOTTOM VIEW

CAMERA	
Image Sensor	1/2.8" SONY Starvis 2.13 Megapixel CMOS Sensor
Resolution	Full HD 1080p
Effective Pixels	1944 (H) x 1092 (V)
Scanning System	Progressive Scan
S/N Ratio	More than 52dB (AGC Off)
Frame Rate	1080p_30 / 720p_30
Minimum Illumination	1 Lux (COLOR) w/ Sens-Up @ x32 0.1 Lux (B&W) w/ Sens-Up @ x32
Shutter Speed	1/30 - 1/30,000 sec. / AUTO
Lens	2.8-8mm (f1.6) Autofocus True D/N Lens
Field of View	114.2° - 54.7° (Horizontal)
Video Output (SDI & Analog selectable)	1x EX-SDI 2.0 / EX-SDI / HD-SDI: 1080p or 720p @ 30fps 1x HD Analog: CVBS / A_HD / C_VI / T_VI
Power Consumption	DC12V: Max. 350mA AC24V: Max. 200mA
Power Requirement	DC12V / AC24V
Operating Temperature	-20°F - 122°F / -28.8°C - 50°C
Operating Humidity	95% RH Max.
Weather Rating	IP68
Mounts to Conduit Boxes	Single Gang, Double Gang, 3/4" & 3/2" Boxes, 4" Oct/Rnd/Square Boxes & 4 1/16" Square Boxes
IR LEDs	n/a
Heaters/Fan	n/a
Materials	Aluminum Case w/Polycarbonate Dome
Dimensions	5.74" (Dia.) x 4.13" (H) / 145.8mm (Dia.) x 104.9mm (H)
Weight	1.5 lbs / 680.38g

OSD	
DSP Type	EXHD - Lite 2.0
Menu Control	OSD Menu Control via built-in joystick, CE-REMOTE or UCC*
Zoom Focus	AF Mode, Scanning, OnePush AF, Sync TDN, Lens Reset, Initialize
Exposure	Lens, Shutter, Sens-Up, AGC
White Balance	ATW, AWB, AWC-SET, Manual
Image Adjust	Sharpness, Gamma, Brightness, Saturation, Black Level
Backlight	HLC, BLC, WDR
Day & Night	Auto, Extern, Color, B&W
DNR (3DNR)	Off, Low, Middle, High
Special	Rotate, D-Zoom, ACE, Defog, Lens Shading, Privacy, Motion
Serial	Cam ID, Baudrate, ID Display
System	SDI Output (EX-SDI 2.0 / EX-SDI / HD-SDI), Analog Output (CVBS, CVI, TVI, AHD), Frame Rate, Video System, CVBS Filter, Language, Cam Title, Reset

RVM - Rated Voltage Monitoring	
LED COLOR	STATUS
GREEN	Correct Voltage (DC12V / AC24V)
RED - SOLID	Over Voltage: >29 Volts (AC24V)
RED - BLINK	Under Voltage: <10 Volts (AC24V)

ACCESSORIES	
CE-REMOTE	Plug in OSD remote
CE-VXWB(B)	Wall Bracket (White or Black)
CE-VXAP(B)	Adapter Plate for Wall Bracket
CE-VXDC(B)	Deep Case, Additional 1.1" of space. (White or Black)
CE-VXPC	Pendant Cap. Mounts to poles or conduit.
CE-VXPCSS	Stainless Steel Pendant Cap Housing, Mounts to 1.5NPT
CE-VXDPC	Deep Pendant Cap. Additional 1.1" of space.
CE-VXRM(B)	Recess Mount (White or Black)
CE-UCB-POLE(B)	Universal Pole Mount Adapter (White or Black)
CE-UCB-CRNR(B)	Universal Corner Mount Adapter (White or Black)

*UCC (Universal Coax Communication) allows camera adjustments (zoom/focus & OSD settings) to be made remotely through a UCC equipped DVR channel.

**RVM (Rated Voltage Monitoring) indicates correct/incorrect voltage at camera with LED indicator light. RVM helps prevent premature camera failure do to under or over-powered cameras.