

CE-VX3QHD(B)

4MP EX-SDI 2.0 True D/N IR Vandal X

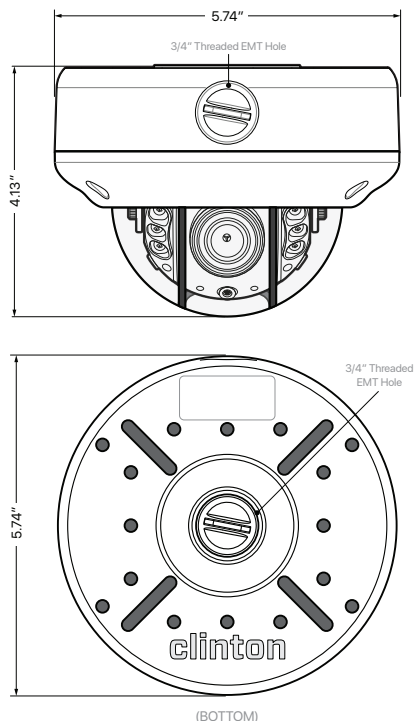


CE-VX3QHDB (Blk)

KEY FEATURES:

- 1/2.8" SONY Starvis 5.14MP CMOS Sensor
- 1440p @ 30fps Over RG59 Coax
- 7-22mm (f1.6) True D/N Autofocus Lens
- 6 High Intensity IR LEDs w/ IR Shield Technology
- Dual Video Outputs: 4MP EX-SDI 2.0 / 2MP EX-SDI 2.0 / HD-SDI & HD Analog / Analog (outputs selectable)
- EXHD 2.0 - 4MP DSP
- OSD Menu Control via Built-In Joystick, CE-REMOTE or UCC*
- DOL-WDR @ 30fps w/ Simultaneous Analog Output
- Mounts to large variety of Conduit Boxes
- RVM** (Rated Voltage Monitoring)
- DC12V/AC24V
- IP68 Weather Rated
- UL Listed

DIMENSIONS:



| CAMERA | |
|--|--|
| Image Sensor | 1/2.8" SONY Starvis 5.14MP CMOS Sensor |
| Resolution | Quad HD 1440p / 4MP |
| Effective Pixels | 2560 (H) x 1440 (V) |
| Scanning System | Progressive Scan |
| S/N Ratio | More than 52dB (AGC Off) |
| Frame Rate | 1440p_30 / 1080p_30 |
| Minimum Illumination | 1 Lux (COLOR) 0.1 Lux (B&W) |
| Shutter Speed | 1/30 - 1/30,000 sec. / AUTO |
| Lens | 7-22mm (f1.6) Autofocus True D/N Lens |
| Field of View | 41.5° - 16.3° (Horizontal) |
| Video Output (4MP / 2MP selectable) (HD Analog selectable) | (4MP) EX-SDI: 1440p @ 30fps (2MP) EX-SDI 2.0 / EX-SDI / HD-SDI: 1080p @ 30fps HD Analog: CVBS / A_HD / C_VI / T_VI |
| Power Consumption, +/- 10% (Max= Zoom/Focus + IRs On) | DC12V: 200mA — (Max. 1000mA) AC24V: 100mA — (Max. 400mA) |
| Power Requirement | DC12V / AC24V |
| Operating Temperature | -20°F - 122°F / -28.8°C - 50°C |
| Operating Humidity | 95% RH Max. |
| Weather Rating | IP68 |
| Mounts to Conduit Boxes | Single Gang, Double Gang, 3/4" & 3/2" Boxes, 4" Oct/Rnd/Square Boxes & 4 1/8" Square Boxes |
| IR LEDs | 6 High Intensity IR LEDs |
| Heaters/Fan | n/a |
| Materials | Aluminum Case w/ Polycarbonate Dome |
| Dimensions | 5.74" (Dia.) x 4.13" (H) / 145.8mm (Dia.) x 104.9mm (H) |
| Weight | 1.5 lbs / 680.38g |

| OSD | |
|---------------|--|
| DSP Type | EXHD 4MP |
| Menu Control | OSD Menu Control via built-in joystick, CE-REMOTE or UCC* |
| Zoom Focus | AF Mode, Scanning, OnePush AF, Sync TDN, Lens Reset, Initialize |
| Exposure | Lens, Shutter, Sens-Up, AGC |
| White Balance | ATW, AWB, AWC-SET, Manual |
| Image Adjust | Sharpness, Gamma, Brightness, Saturation, Black Level |
| Backlight | HLC, BLC, WDR (DOL-WDR or Frame WDR) |
| Day & Night | Auto, Extern, Color, B&W |
| DNR (3DNR) | Off, Low, Middle, High |
| Special | Rotate, D-Zoom, ACE, Defog, Lens Shading, Privacy, Motion |
| Serial | Cam ID, Baudrate, ID Display |
| System | SDI Output (EX-SDI 4MP / EX-SDI 2.0 / EX-SDI / HD-SDI), Analog Output (CVBS, CVI, TVI, AHD), Frame Rate, Video System, CVBS Filter, Language, Cam Title, Reset |

| RVM - Rated Voltage Monitoring | |
|--------------------------------|----------------------------------|
| LED COLOR | STATUS |
| GREEN | Correct Voltage (DC12V / AC24V) |
| RED - SOLID | Over Voltage: >29 Volts (AC24V) |
| RED - BLINK | Under Voltage: <10 Volts (DC12V) |

| ACCESSORIES | |
|-------------|---|
| CE-REMOTE | Plug in OSD remote |
| CE-VXWB | Wall Bracket (White) |
| CE-VXAP | Adapter Plate for Wall Bracket (White) |
| CE-VXDC | Deep Case. Additional 1.1" of space. (White) |
| CE-VXPC | Pendant Cap. Mounts to poles or conduit. (White) |
| CE-VXPCSS | Stainless Steel Pendant Cap Housing, Mounts to 1.5NPT |
| CE-VXDPC | Deep Pendant Cap. Additional 1.1" of space. (White) |
| CE-VXRM | Recess Mount (White) |
| CE-UCB-POLE | Universal Pole Mount Adapter (White) |
| CE-UCB-CRNR | Universal Corner Mount Adapter (White) |

*UCC (Up the Coax Control) allows camera adjustments (zoom/focus & OSD settings) to be made remotely through a UCC equipped DVR channel.

**RVM (Rated Voltage Monitoring) indicates correct/incorrect voltage at camera with LED indicator light. RVM helps prevent premature camera failure do to under or over-powered cameras.