

CE-X1HD

EX-SDI 2.0 True D/N Box Camera

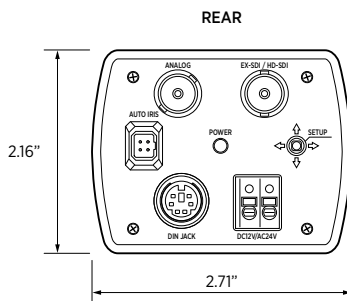
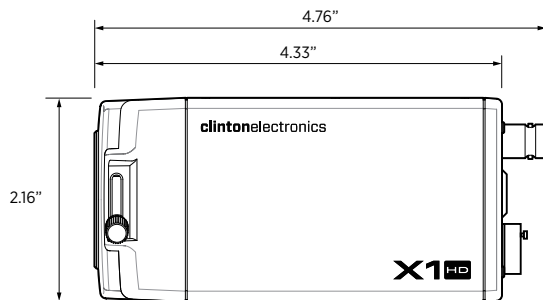


*Lens Sold Separately

KEY FEATURES:

- 1/2.8" SONY Starvis 2.13 Megapixel CMOS Sensor
- 1080p @ 30fps Over RG59 Coax
- Uses CS Mount or C Mount Lenses
- Back-Focus Lens Adjustment
- EX-SDI 2.0 / HD-SDI & Analog outputs
- EXHD 2.0 DSP
- OSD Menu Control via Built-In Joystick, CE-REMOTE or UCC**
- DOL-WDR @ 30fps w/ Simultaneous Analog Output
- DC12V/AC24V

DIMENSIONS:



CAMERA	
Image Sensor	1/2.8" SONY Starvis 2.13 Megapixel CMOS Sensor
Resolution	Full HD 1080p
Effective Pixels	1944 (H) x 1092 (V)
Scanning System	Progressive Scan
S/N Ratio	More than 52dB (AGC Off)
Frame Rate	1080p_30 / 720p_30
Minimum Illumination	0.001 Lux
Shutter Speed	1/30 - 1/60,000 sec. / AUTO
Lens	n/a (use CS or C Mount, 2MP or higher)
Filed of View	n/a (dependent on lens)
Video Output	1 EX-SDI 2.0 / HD-SDI Output, 1 Analog (1,000TVL) Output
Power Consumption	DC12V: 350mA (Max ±10%) AC24V: 200mA (Max ±10%)
Power Requirement	DC12V / AC24V
Operating Temperature	-20°F - 122°F / -28°C - 50°C
Operating Humidity	95% RH Max.
Weather Rating	n/a - Indoor Use Only
IR LEDs	n/a
Heaters/Fan	n/a
Materials	Aluminum Housing
Dimensions (straight)	2.71" (W) x 2.16" (H) x 4.33" (D) 69mm (W) x 55mm (H) x 110mm (D)
Weight	1 lb / 450g

OSD	
DSP Type	EXHD 2.0
Menu Control	OSD Menu Control via CE-REMOTE* or UCC**
Zoom Focus	AF Mode, Scanning, OnePush AF, Sync TDN, Lens Reset, Initialize
Exposure	Lens, Shutter, Sens-Up, AGC
White Balance	ATW, AWB, AWC-SET, Manual
Image Adjust	Sharpness, Gamma, Brightness, Saturation, Black Level
Backlight	HLC, BLC, WDR (DOL-WDR or Frame WDR)
Day & Night	Auto, Extern, Color, B&W
DNR (3DNR)	Off, Low, Middle, High
Special	Rotate, D-Zoom, ACE, Defog, Lens Shading, Privacy, Motion
Serial	Cam ID, Baudrate, ID Display
System	SDI Output (EX-SDI 2.0 / EX-SDI / HD-SDI), Frame Rate, Video System, CVBS Filter, Language, Cam Title, Reset

ACCESSORIES	
CE-REMOTE	Plug in OSD remote
CE-H13	Outdoor Box Camera Housing (IP66 Weather Rated)
CE- H03	Soffit Mount Bracket for H13 Housing
CE- B15	Box Camera Bracket - Grey
CE- 203X	Box Camera Bracket - Black
CE- B07	Box Camera Bracket - White
CE- CPBA	Camera Pole Adapter Bracket - White
CE- CPBA-B	Camera Pole Adapter Bracket - Black

SUGGESTED LENSES	
YV2.8x2.8SA-SA2L	3 Megapixel 2.8-8mm (f1.2) Lens - Fujinon
YV2.8x2.8SR4A-SA2L	3 Megapixel 2.8-8mm (f1.3) D/N Lens - Fujinon
YV4.3x2.8SA-SA2L	3 Megapixel 2.8-12mm (f1.4) Lens - Fujinon
M13VG288IR	3 Megapixel 2.8-8mm (f1.2) D/N Lens - Tamron
M13VG850IR	3 Megapixel 8-50mm (f1.6) D/N Lens - Tamron

As a general rule of thumb it's best to choose a lens with a higher resolution than the camera's image sensor. For example: a non-megapixel lens will work on a Full HD camera- but the image will not look as good as what it would with a 3 Megapixel lens.

**UCC (Universal Coax Communication) allows camera adjustments (zoom/focus & OSD settings) to be made remotely through a UCC equipped DVR channel.