

CMD3383W

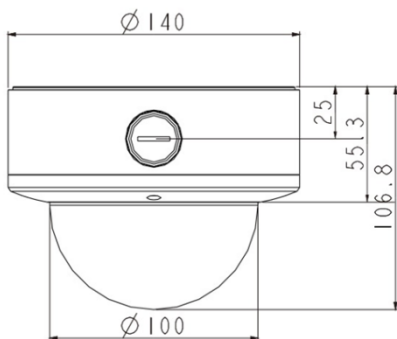
WDR IR Vandal Dome Camera



Key features

- 1/3" 1.3MP Sensor, 1000TVL
- 2.8-12mm Mega Pixel Lens
- WDR up to 120dB
- Aluminum housing
- DC 12V

Dimensions



CMD3383W	
Camera	
Image Sensor	1/3" 1.3MP Sensor
Signal System	NTSC/PAL
Effective Pixels	1280(H)X960(V)
Min. Illumination	Day: Color > 0.1 Lux (Infrared Lamps Turn on) Night: 0 Lux (Infrared Lamps Turn on)
Shutter Speed	PAL: 1/50-1/100,000sec
	NTSC: 1/60-1/100,000sec
Lens	2.8-12mm
Day & Night	ICR
Synchronization	Internal
Video Output	1.0 Vp-p, 75 Ohm
S/N Ratio	> 50dB (AGC off)
White Balance	ATW
BLC	Auto
Auto Gain Control	Auto
Smart IR	Auto
Wide Dynamic Range	Yes(120dB)
General	
Working Temperature	-10°C ~ 50 °C
/Humidity	RH85% Max. (Non-condensing)
Power Supply	DC 12V
Power Consumption	< 5W (when the infrared lamps turn on)
Weather-proof rating	IP66
Infrared Red Lamps	35pcs
IR Range	115ft(35m)
Dimension	140mm x 140mm x 107mm
Weight	840g(1.85 lbs)