

## CMHT1322WE 2 MP Ultra-Low Light Turret Camera



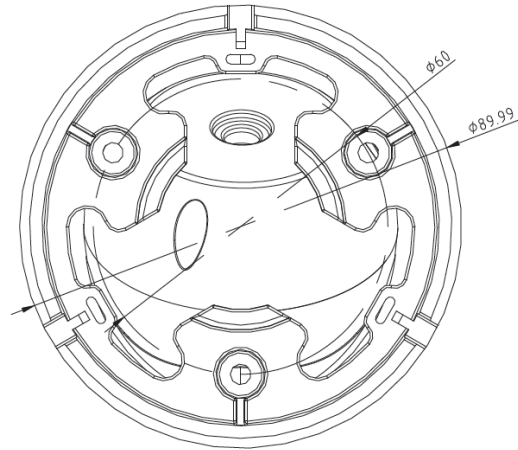
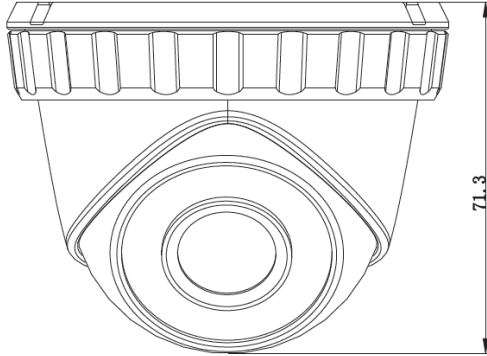
### Key Features

- 2 MP high performance COMS
- Ultra-Low Light
- 1920 × 1080 resolution
- 3.6 mm fixed focal lens
- 120 dB true WDR, 3D DNR
- Matrix IR, Smart IR, up to 65ft(20 m) IR distance
- IP67
- OSD Menu via UTC technology with Platinum DVR

## Specification

<b>Camera</b>	
Image Sensor	2.0 megapixel progressive scan CMOS
Signal System	PAL/NTSC
Frame Rate	PAL: 1080p@25fps NTSC: 1080p@30fps
Resolution	1920 (H) × 1080 (V)
Min. illumination	Color: 0.005 Lux @ (F1.2, AGC ON), 0 Lux with IR
Shutter Time	PAL: 1/25 s to 1/50, 000 s NTSC: 1/30 s to 1/50, 000 s
Slow Shutter	Max. 16 times
Lens	3.6 mm fixed focal lens
Horizontal Field of View	82.6° (3.6 mm)
Lens Mount	M12
Day & Night	IR cut filter
Angle Adjustment	Pan: 0° to 360°, Tilt: 0° to 75°, Rotate: 0° to 360°
Synchronization	Internal synchronization
WDR (Wide Dynamic Range)	> 120 dB
<b>Menu</b>	
AGC	Support
Day/Night Mode	Auto/Color/BW (Black and White)
White Balance	ATW/MANUAL
Privacy Mask	ON/OFF, 4 programmable privacy masks
Motion Detection	4 programmable motion areas
Backlight Compensation	WDR/BLC/OFF
3D DNR (Digital Noise Reduction)	Level 1 to 10
Language	English
Functions	Brightness, Sharpness, Mirror, Smart IR
<b>Interface</b>	
Video Output	1 HD analog output
<b>General</b>	
Operating Conditions	-40 °C to 60 °C (-40 °F to 140 °F), humidity: 90% or less (non-condensation)
Power Supply	12 VDC ±25%
Power Consumption	Max. 3.6 W
Ingress Protection	IP67
Material	Metal
IR Range	Up to 65ft(20 m)
Communication	Up the coax, TVI output
Dimensions	φ 3.5" × 2.8"(φ 90.6×71.3mm)
Weight	0.9lb(400g)

## Dimension



Unit: mm

## Accessory



LTB345  
Junction Box



LTB342-110T  
Wall Mounting Bracket



LTB379  
Corner Mounting Bracket



LTB378  
Vertical Pole Mounting Bracket