

## CMHT1722W-CF 2 MP Full Time Color Turret Camera



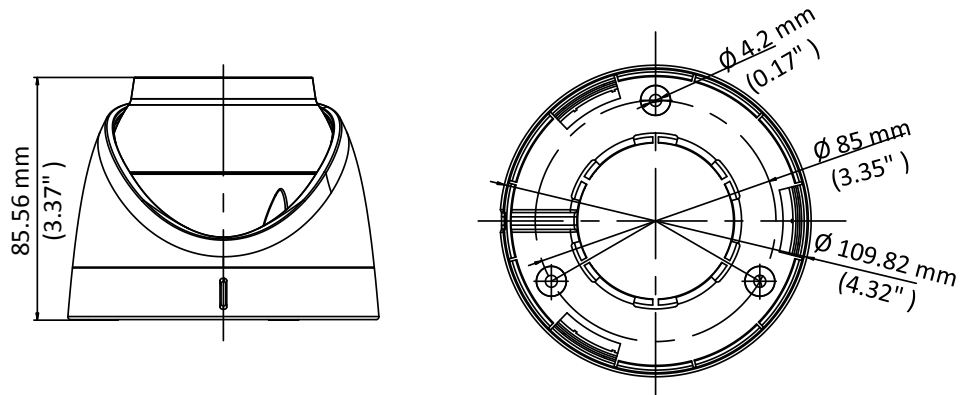
### Key Features

- 2 MP high performance CMOS
- 1920 × 1080 resolution
- Full time color
- 3.6 mm fixed lens
- Up to 66ft(20 m) white light distance
- 3D DNR, true WDR
- 4 in 1 video output (switchable TVI/AHD/CVI/CVBS)
- IP67
- OSD menu via UTC technology with Platinum DVR

## Specifications

| <b>Camera</b>                |  |
|------------------------------|--|
| Image Sensor                 | 2 MP CMOS image sensor   |
| Resolution                   | 1920 (H) × 1080 (V)  |
| Frame Rate                   | PAL: 1080p@25fps<br>NTSC: 1080p@30fps  |
| Min. illumination            | Color: 0.0005 Lux @ (F1.0, AGC ON), 0 Lux with white light                   |
| Shutter Time                 | PAL: 1/25 s to 1/50, 000 s<br>NTSC: 1/30 s to 1/50, 000 s                    |
| Slow Shutter                 | Max. 16x   |
| Lens                         | 3.6 mm fixed lens  |
| Horizontal Field of View     | 83.6° (3.6 mm)   |
| Lens Mount                   | M16  |
| Day & Night                  | Color  |
| Angle Adjustment             | Pan: 0° to 360°; Tilt: 0° to 75°; Rotate: 0° to 360°                         |
| Synchronization              | Internal synchronization   |
| WDR (Wide Dynamic Range)     | 120 dB   |
| <b>Menu</b>                  |  |
| AGC                          | Yes  |
| White Balance                | Auto/Manual  |
| BLC (Backlight Compensation) | Yes  |
| Privacy Mask                 | 4 programmable privacy masks   |
| Motion Detection             | 4 programmable areas   |
| WDR                          | Yes  |
| Functions                    | Brightness, Sharpness, 3D DNR, Mirror, Smart light                           |
| <b>Interface</b>             |  |
| Video Output                 | 1 HD analog output   |
| Switch Button                | TVI/AHD/CVI/CVBS   |
| <b>General</b>               |  |
| Operating Conditions         | -40 °C to 60 °C (-40 °F to 140 °F), humidity: 90% or less (non-condensation) |
| Power Supply                 | 12 VDC ±25%  |
| Power Consumption            | Max. 3 W   |
| Protection Level             | IP67   |
| Material                     | Main Body: Metal, Mounting Base: Plastic                                     |
| White Light                  | Up to 66ft(20 m)   |
| Communication                | Up the coax, TVI output  |
| Dimensions                   | ∅ 109.82 mm × 85.56 mm ( ∅ 4.32" × 3.37")                                    |
| Weight                       | Approx. 336 g (0.74 lb.)   |

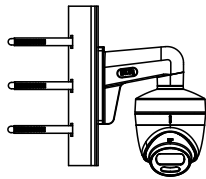
## Dimension



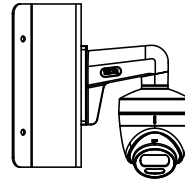
## Accessory



LTB342-110T  
Wall Mount



LTB378  
Vertical Pole Mount



LTB379  
Corner Mount