

CMHR1752WE-28F 5 MP Ultra-low-light Turret Camera



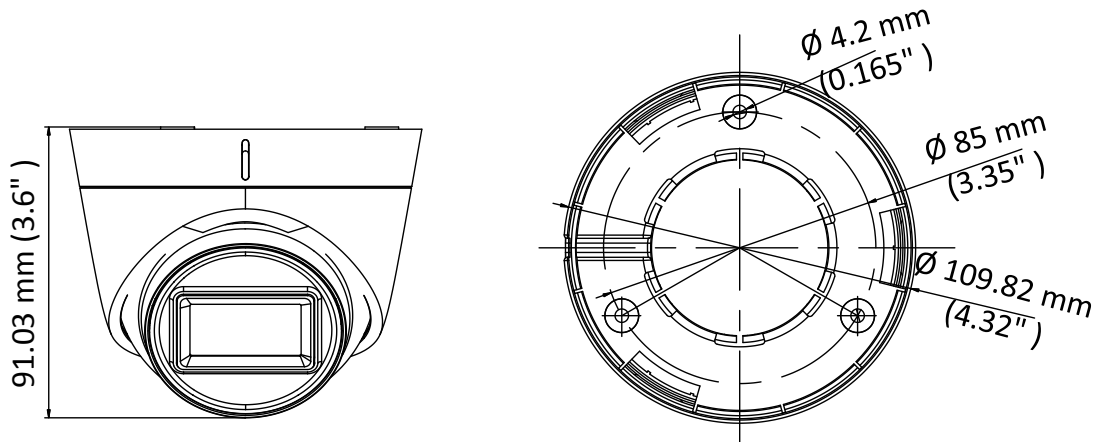
Key Features

- 5 MP high performance CMOS
- 2560 × 1944 resolution
- 2.8 mm fixed lens
- Matrix IR 2.0, smart IR, up to 197ft(60 m) IR distance
- 3D DNR, 130 dB true WDR
- 4 in 1 video output (switchable TVI/AHD/CVI/CVBS)
- IP67
- OSD Menu via UTC technology with Platinum DVR

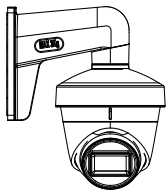
Specification

Camera	
Image Sensor	5 megapixel progressive scan CMOS
Signal System	PAL/NTSC
Resolution	2560 (H) × 1944 (V)
Min. Illumination	Color: 0.003 Lux@(F1.2, AGC ON), 0 Lux with IR
Frame Rate	TVI: 2 MP@25fps, 2 MP@30fps, 4 MP@25fps, 4 MP@30fps, 5 MP@20fps AHD: 4 MP@25fps, 4 MP@30fps, 5 MP@20fps CVI: 4 MP@25fps, 4 MP@30fps CVBS: PAL, NTSC
Shutter Time	PAL: 1/25 s to 1/50,000 s NTSC: 1/30 s to 1/50,000 s
Lens	2.8 mm fixed lens
Horizontal Field of View	98° (2.8 mm)
Lens Mount	M12
Day & Night	IR cut filter
Angle Adjustment (Bracket)	Pan: 0° to 360°, Tilt: 0° to 75°, Rotate: 0° to 360°
Synchronization	Internal synchronization
WDR (Wide Dynamic Range)	≥ 130 dB
Menu	
AGC	Yes
Day/Night Mode	Auto/Color/BW (Black and White)
White Balance	Auto/Manual
BLC (Backlight Compensation)	Yes
WDR	Yes
3D DNR	Level 1 to 9
Privacy Mask	4 programmable privacy masks
Motion Detection	4 programmable areas
Language	English
Functions	Brightness, Sharpness, 3D DNR, Mirror, Smart IR
Interface	
Video Output	1 HD analog output
Switch Button	TVI/AHD/CVI/CVBS
General	
Operating Conditions	-40 °C to 60 °C (-40 °F to 140 °F), humidity: 90% or less (non-condensation)
Power Supply	12 VDC ±25%
Power Consumption	Max. 5.8 W
Protection Level	IP67
Material	Enclosure: Plastic Main body: Metal
IR Range	Up to 197ft(60 m)
Communication	Up the coax, TVI output
Dimensions	∅ 109.82 mm × 91.03 mm (∅ 4.32" × 3.6")
Weight	Approx. 310 g (0.68 lb.)

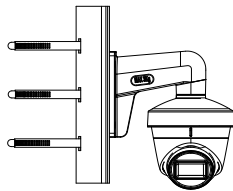
Dimension



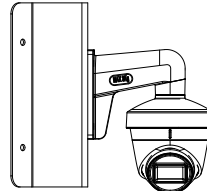
Accessory



LTB342-110T
Wall Mount



LTB378
Vertical Pole Mount



LTB379
Corner Mount