

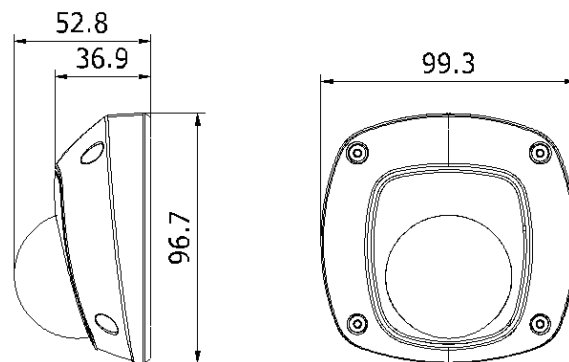
Platinum Fixed Lens Dome Network IP Camera 4.1 MP CMIP3142-28S



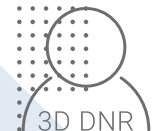
Key Features:

- 4.1MP High Definition
- Digital WDR
- 3D DNR, BLC, Intelligent H.264 Zip+
- Built-in microphone, Audio Output, Alarm I/O
- IP66, Vandal-proof
- DC 12V/ PoE

Dimensions:



Unit: mm



Platinum Fixed Lens Dome Network IP Camera 4.1 MP CMIP3142-28S

| CAMERA | |
|-------------------------|---|
| Image Sensor | 1/3" Progressive Scan CMOS |
| Min. Illumination | 0.01Lux @ (F1.2, AGC ON), 0 Lux with IR |
| Shutter Speed | 1/3 s to 1/10,000 s |
| Lens | 2.8mm |
| Lens Mount | M12 |
| Day & Night | IR cut filter with auto switch |
| DNR | 3D DNR |
| Wide Dynamic Range | DWDR |
| Angle Adjustment | Pan: -30° ~ 30°, Tilt: 0 ~ 75°, Rotation: 0 ~ 360° |
| Compression Standard | |
| Video Compression | H.264 / MJPEG/H.264 Zip+ |
| H.264 Type | Main Profile |
| Video Bit Rate | 32 Kbps ~ 8 Mbps |
| Dual streams | Support |
| Audio Compression | G.711/G.722.1/G.726/MP2L2 |
| Audio Bit rate | 64Kbps(G.711) / 16Kbps(G.722.1) / 16Kbps(G.726) / 32-128Kbps(MP2L2) |
| Image | |
| Max. Resolution | 2688×1520 |
| Frame Rate | 60Hz: 20fps (2688×1520), 30fps (1920×1080), 30fps(1280×720) 50Hz: 20fps (2688×1520), 25fps(1920×1080), 25fps(1280×720) |
| Image Setting | Rotate Mode, Saturation, Brightness, Contrast, Sharpness adjustable by client software or web browser |
| BLC | Support, zone configurable |
| ROI Codec | Support |
| Network | |
| Network Storage | NAS (Support NFS,SMB/CIFS), ANR |
| Alarm Trigger | Motion detection, Tampering alarm, Network disconnect, IP address conflict, Storage exception |
| Protocols | TCP/IP, UDP, ICMP, HTTP, HTTPS, FTP, DHCP, DNS, DDNS, RTP, RTSP, RTCP, PPPoE, NTP, UPnP, SMTP, SNMP, IGMP, 802.1X, QoS, IPv6, Bonjour |
| General | One-key reset, Flash-prevention, dual stream, heartbeat, mirror, password protection, privacy mask, watermark, IP address filtering, Anonymous access |
| Standard | ONVIF (PROFILE S, PROFILE G), PSIA, CGI, ISAPI |
| Interface | |
| Communication Interface | 1 RJ45 10M/100M Ethernet port |
| On-board storage | Built-in Micro SD/SDHC/SDXC slot, up to 128GB |
| Alarm interface | 1x alarm I/O |
| Audio interface | Built-in microphone and 1x audio output |
| Reset | Yes |

Platinum Fixed Lens Dome Network IP Camera 4.1 MP CMIP3142-28S

| General | |
|-------------------------------|--|
| Working Temperature /Humidity | -22 °F ~ 140°F (-30 °C ~ 60 °C) |
| | Humidity 95% or less (non-condensing) |
| Power Supply | DC12V ± 10%, PoE (802.3af) |
| Power Consumption | Max. 5W |
| IR Range | Approx. 33ft (10 meters) |
| Weather Proof Ratings | IP66 |
| Impact Protection | IEC60068-275Eh, 20J; EN50102, up to IK08 |
| Dimensions | 3.9"×3.8"×2.1" (99.3×96.7×52.8 mm) |
| Weight | 1.32 lbs (600 g) |