

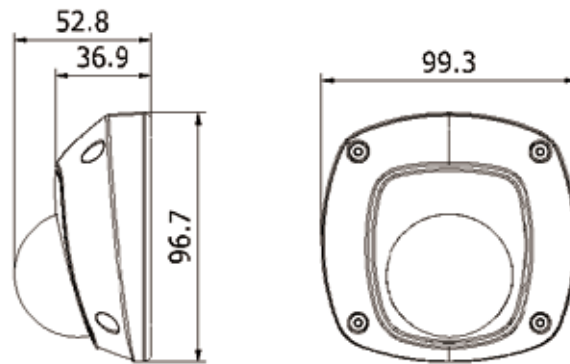
Platinum Mini Dome Network IP Camera 5MP CMIP3152-28S



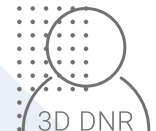
Key Features:

- 5MP High Definition
- Digital WDR
- 3D DNR, BLC, Intelligent H.264 Zip+
- Audio I/O, Alarm I/O
- IP66, Vandal-proof
- DC 12V/ PoE

Dimensions:



Unit: mm



Platinum Mini Dome Network IP Camera 5MP CMIP3152-28S

CAMERA	
Image Sensor	1/3" Progressive Scan CMOS
Min. Illumination	0.01Lux @ (F1.2, AGC ON), 0 Lux with IR
Shutter Speed	1/3 s to 1/10,000 s
Lens	2.8mm
Lens Mount	M12
Day &Night	IR cut filter with auto switch
DNR	3D DNR
Wide Dynamic Range	DWDR
Angle Adjustment	Pan: -30° ~ 30°, Tilt: 0 ~ 75°, Rotation: 0 ~ 360°
Compression Standard	
Video Compression	H.264 / MJPEG/H.264 Zip+
H.264 Type	Main Profile
Video Bit Rate	256 Kbps ~ 16 Mbps
Dual streams	Support
Audio Compression	G.711/G.722.1/G.726/MP2L2
Audio Bit rate	64Kbps(G.711) / 16Kbps(G.722.1) / 16Kbps(G.726) / 32-128Kbps(MP2L2)
Image	
Max. Resolution	2560×1920
Frame Rate	60Hz: 20fps (2560×1920), 30fps (2048×1536), 30fps(1920×1080), 30fps(1280×720) 50Hz: 20fps (2560×1920), 25fps (2048×1536), 25fps(1920×1080), 25fps(1280×720)
Sub Stream	60Hz: 30fps (352×240, 640×480) 50Hz: 25fps (352×288, 640×480)
Others	Saturation, Brightness, Contrast adjustable by client software or web browser, Mirror, BLC, ROI, Dual Stream, Anti-Flicker, Privacy Mask
Network	
Network Storage	NAS (Support NFS,SMB/CIFS), ANR
Alarm Trigger	Motion Detection, Tampering Alarm, Intrusion Detection, Line Crossing Detection, HDD Full, HDD Error, Network Disconnected, IP Address Conflicted, Illegal login
Protocols	TCP/IP, UDP, ICMP, HTTP, HTTPS, FTP, DHCP, DNS, DDNS, RTP, RTSP, RTCP, PPPoE, NTP, UPnP, SMTP, SNMP, IGMP, 802.1X, QoS, IPv6, Bonjour
General	Password Protection, Privacy Mask, IP Address Filtering, Anonymous Access
Standard	ONVIF (PROFILE S, PROFILE G), PSIA, CGI, ISAPI
Interface	
Communication Interface	1 RJ45 10M/100M Ethernet port
On-board storage	Built-in Micro SD/SDHC/SDXC slot, up to 128GB
Alarm interface	1x alarm I/O
Audio interface	1x audio I/O
Reset	Yes

Platinum Mini Dome Network IP Camera 5MP CMIP3152-28S

General	
Working Temperature /Humidity	-22 °F ~ 140°F (-30 °C ~ 60 °C)
	Humidity 95% or less (non-condensing)
Power Supply	DC12V ± 10%, PoE (802.3af)
Power Consumption	Max. 5W
IR Range	Approx. 33ft (10 meters)
Weather Proof Ratings	IP66
Impact Protection	IK08
Dimensions	3.9"×3.8"×2.1" (99.3×96.7×52.8 mm)
Weight	1.32 lbs (600 g)