

CMIP7412/CMIP7412-28 / CMIP7432/CMIP7432-28

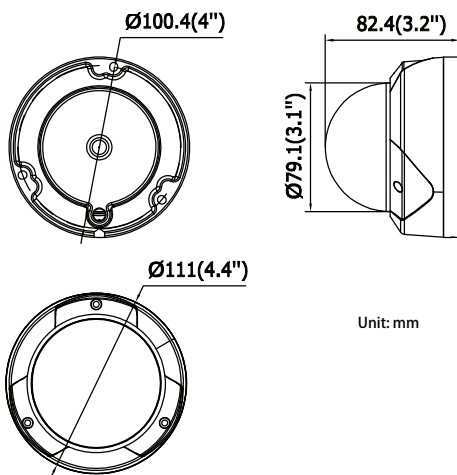
IR Mini Dome Camera



Key features

- 1.3 / 3.0 megapixel high resolution
- HD real-time video
- Day / night auto switch
- IP66 ingress protection
- IR LEDs :Approx 65 to 100 ft(About 20 to 30m)
- Vandal-proof housing
- 3D DNR & DWDR & BLC

Dimensions



	CMIP7412/CMIP7412-28 (1.3MP)	CMIP7432/CMIP7432-28(3MP)
Camera		
Image sensor	1/3" sensor	
Min. illumination	0.028 lux@F2.0, AGC ON 0 lux with IR	0.14 lux@F2.0, AGC on 0 lux with IR
Shutter time	1/25s ~ 1/100,000s	
Lens	4mm@F2.0 1280 × 960: angle of view: 73.1° 2.8mm@F2.0 1280 × 960: angle of view: 92.5°	4mm@F2.0 2048 × 1536: angle of view: 70° 1920 × 1080: angle of view: 79° 2.8mm@F2.0 2048 × 1536: angle of view: 86° 1920 × 1080: angle of view: 98.5°
Lens mount	M12	
Angle adjustment	Pan: 0° ~ 355° , tilt: 0° ~ 65°	
Digital noise reduction	3D DNR	
Wide dynamic range	Digital WDR	
Day & night	ICR	
Compression standard		
Video compression	H.264 / MJPEG	
H.264 codec profile	Main profile	
Bit rate	32 Kbps ~ 16 Mbps	
Dual stream	Yes	
Image		
Max. image resolution	1280 × 960	2048 × 1536
Frame rate	60 Hz:30 fps (1280 × 960), 30 fps (1280 x 720) 50 Hz:25 fps (1280 × 960), 25 fps (1280 x 720)	60 Hz: 20fps (2048 x 1536), 30fps (1920 × 1080), 30fps (1280 x 720) 50 Hz: 20fps (2048 x 1536), 25fps (1920 × 1080), 25fps (1280 x 720)
Image settings	Saturation, brightness, contrast adjustable through client software or web browser	
BLC	Yes,zone configurable	
Network		
Network storage	NAS (iSCSI optional)	
Alarm trigger	Motion detection,tampering alarm,network disconnect,IP address conflict, storage exception	
Protocols	TCP/IP, HTTP, DHCP, DNS, DDNS, RTP, RTSP, PPPoE, SMTP, NTP, SNMP, HTTPS, FTP, 802.1x, Qos (SIP, SRTP, IPv6 optional)	
System compatibility	ONVIF, PSIA, CGI	
General functionalities	Flickerless, heartbeat, mirror, user authentication, video mask, watermark	
Interface		
Communication interface	1 RJ45 10M / 100M ethernet port	
General		
Operating conditions	-13° F ~ 140° F(-25° C ~ 60° C) humidity 95% or less (non-condensing)	
Power supply	12 VDC ± 10%, PoE (802.3af)	
Power consumption	Max. 5.5W	
Impact protection	IEC60068-275Eh, 50J; EN50102, up to IK10	
Ingress protection	IP66	
IR range	Approx 65 to 100 ft(About 20 to 30m)	
Dimensions	Φ4.4" x3.2" (Φ111.0 × 82.4 mm)	
Weight	1.1lb(500g)	