

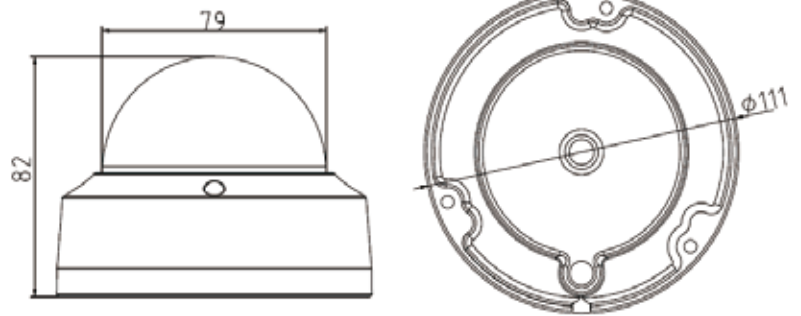
# Platinum Mini Dome Network IP Camera 5MP CMIP7452-M



## Key Features:

- 5MP High Definition
- Digital WDR
- 3D DNR, BLC, Intelligent H.264 Zip+
- 3-axis adjustment
- IP66, Vandal-proof
- DC 12V/ PoE

## Dimensions:



# Platinum Mini Dome Network IP Camera 5MP

## CMIP7452-M

CAMERA	
Image Sensor	1/3" Progressive Scan CMOS
Min. Illumination	0.01Lux @(F1.2, AGC ON), 0 Lux with IR
Shutter Speed	1/3 s to 1/10,000 s
Lens	4mm
Lens Mount	M12
Day & Night	IR cut filter with auto switch
DNR	3D DNR
Wide Dynamic Range	DWDR
Angle Adjustment	Pan: 0° ~ 355°, Tilt: 0° ~ 75°, Rotation: 0° ~ 355°
Compression Standard	
Video Compression	H.264 / MJPEG/H.264 Zip+
H.264 Type	Main Profile
Video Bit Rate	256 Kbps ~ 16 Mbps
Dual streams	Support
Image	
Max. Resolution	2560×1920
Main Stream	60Hz: 20fps (2560×1920), 30fps (2048×1536), 30fps(1920×1080), 30fps(1280×720) 50Hz: 20fps (2560×1920), 25fps (2048×1536), 25fps(1920×1080), 25fps(1280×720)
Sub Stream	60Hz: 30fps (352×240, 640×480) 50Hz: 25fps (352×288, 640×480)
Others	Saturation, Brightness, Contrast adjustable by client software or web browser, Mirror, BLC, ROI, Dual Stream, Anti-Flicker, Privacy Mask,
Network	
Network Storage	NAS (Support NFS,SMB/CIFS), ANR
Alarm Trigger	Motion Detection, Tampering Alarm, Intrusion Detection, Line Crossing Detection, HDD Full, HDD Error, Network Disconnected, IP Address Conflicted
Protocols	TCP/IP, UDP, ICMP, HTTP, HTTPS, FTP, DHCP, DNS, DDNS, RTP, RTSP, RTCP, PPPoE, NTP, UPnP, SMTP, SNMP, IGMP, 802.1X, QoS, IPv6, Bonjour
General	Password Protection, IP Address Filtering, Anonymous Access, Watermark
Standard	ONVIF (PROFILE S, PROFILE G), PSIA, CGI, ISAPI
Interface	
Communication Interface	1 RJ45 10M/100M Ethernet port
On-board Storage	Built-in Micro SD/SDHC/SDXC slot, up to 128GB
Reset	Yes
General	
Working Temperature /Humidity	-22 °F ~ 140 °F (-30 °C ~ 60 °C) Humidity 95% or less (non-condensing)
Power Supply	DC12V ± 10%, PoE (802.3af)
Power Consumption	Max. 5W
IR Range	Approx. 100ft (30 meters)
Weather Proof Ratings	IP66
Impact Protection	IK10
Dimensions	Φ4.4" × 3.2" (Φ111×82.0mm)
Weight	1.1 lbs (500g)