

## CMIP9243-SZ 4MP Smart Bullet Network Camera



The smart network bullet camera offers 2560 × 1440 resolution, 105dB WDR, Auto-iris, PoE, Defog, EIS, 3D DNR, 6 behavior analyses, 3 exception detection, and 1 recognition to meet a wide variety of applications.

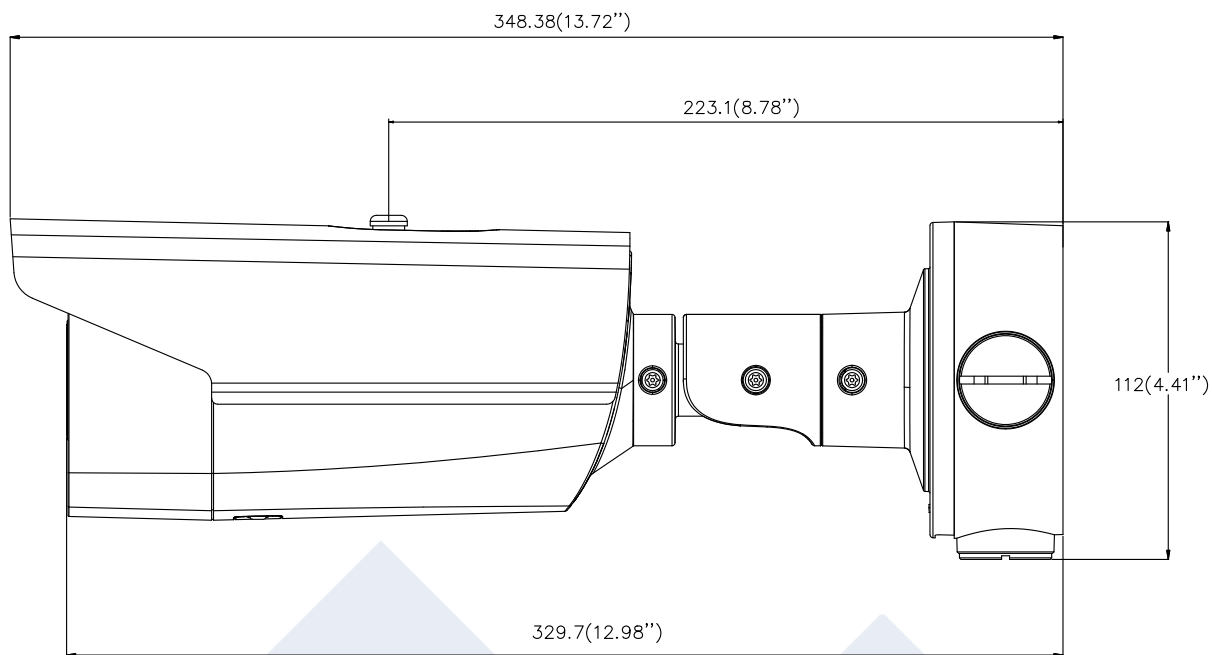
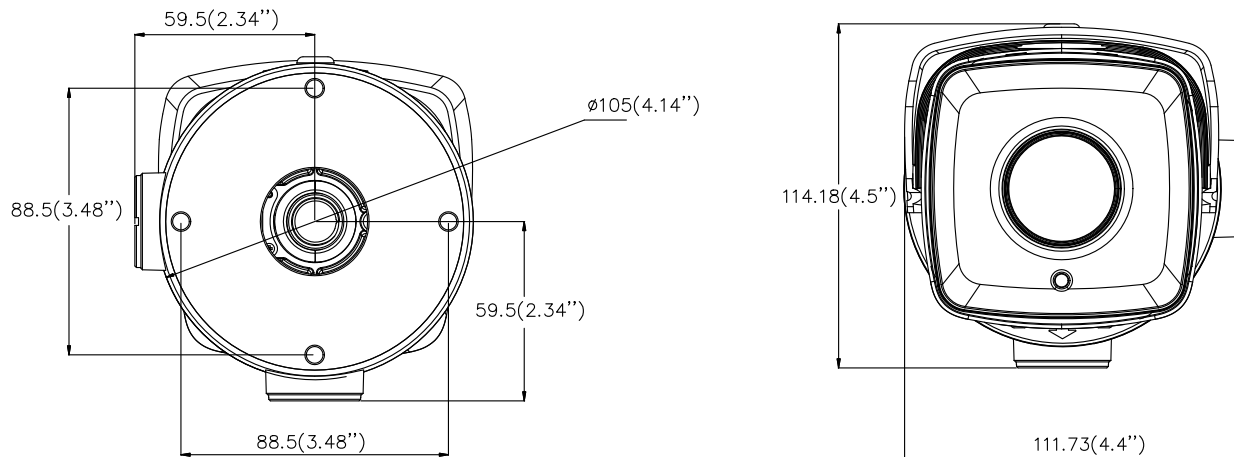
- 1/2.5" Progressive Scan CMOS
- Auto-iris
- 2560 × 1440 @ 30fps
- H.265, H.265+
- 105dB WDR
- IP67
- 6 behavior analyses, 3 exception detection, and 1 recognition

## Specifications

<b>Camera</b>	
Image Sensor	1/2.5" Progressive Scan CMOS
Min. Illumination	0.007 Lux @ (F1.2, AGC ON), 0.01 Lux @ (F1.4, AGC ON)
Shutter Speed	1 s – 1/100,000 s
Slow Shutter	Yes
Lens Mount	Integrated
Auto-iris	DC drive
Day & Night	IR Cut Filter
Digital Noise Reduction	3D DNR
WDR	105dB
3-Axis Adjustment (Bracket)	Pan: 0° to 360°, tilt: 0° to 90°, rotate: 0° to 360°
<b>Lens</b>	
Focal length	4.7 to 94 mm @F1.4
Focus	Auto
FOV	4.7 to 94 mm @F1.4, horizontal FOV 58.248° to 2.896°, vertical FOV 33.602° to 1.644°, diagonal FOV 65.868° to 3.31°
Lens Mount	Integrated
<b>IR</b>	
IR Range	Up to 492ft(150 m)
Wavelength	850 nm
<b>Compression Standard</b>	
Video Compression	Main stream: H.265/H.264 Sub stream: H.265/H.264/MJPEG Third stream: H.265/H.264
H.264 Type	Baseline Profile/Main Profile/High Profile
H.264+	Support
H.265 Type	Main Profile
H.265+	Support
Video Bit Rate	32 Kbps – 16 Mbps
Audio Compression	G.711/G.722.1/G.726/MP2L2/PCM
Audio Bit Rate	64Kbps(G.711)/16Kbps(G.722.1)/16Kbps(G.726)/32-192Kbps(MP2L2)
<b>Image</b>	
Max. Resolution	2560 × 1440
Main Stream	50Hz: 25fps (2560 × 1440, 2304 × 1296, 1920 × 1080, 1280 × 960, 1280 × 720) 60Hz: 30fps (2560 × 1440, 2304 × 1296, 1920 × 1080, 1280 × 960, 1280 × 720)
Sub Stream	50Hz: 25fps (640 × 480, 640 × 360, 320 × 240) 60Hz: 30fps (640 × 480, 640 × 360, 320 × 240)
Third Stream	50Hz: 25fps (1920 × 1080, 1280 × 960, 1280 × 720, 704 × 576, 640 × 480, 640 × 360, 352 × 288, 320 × 240) 60Hz: 30fps (1920 × 1080, 1280 × 960, 1280 × 720, 704 × 480, 640 × 480, 640 × 360, 352 × 240, 320 × 240)
Image Enhancement	BLC/HLC/3D DNR/Defog/EIS
Image Setting	Rotate Mode, Saturation, Brightness, Contrast, Sharpness, AGC, White Balance adjustable by client software or web browser
Region of Interest	Support 4 fixed region for each stream, and dynamic face tracking

Target Cropping	Yes
SVC	H.264 and H.265 encoding
Day/Night Switch	Day/Night/Auto/Schedule/Triggered by Alarm In
Picture Overlay	LOGO picture can be overlaid on video with 128 × 128 24bit bmp format
<b>Network</b>	
Network Storage	Support Micro SD/SDHC/SDXC card (128G), local storage and NAS (NFS,SMB/CIFS), ANR
Alarm Trigger	Motion detection, video tampering alarm, network disconnected, IP address conflict, illegal login, HDD full, HDD error
Protocols	TCP/IP, ICMP, HTTP, HTTPS, FTP, DHCP, DNS, DDNS, RTP, RTSP, RTCP, PPPoE, NTP, UPnP, SMTP, SNMP, IGMP, 802.1X, QoS, IPv6, UDP, Bonjour
Simultaneous Live View	Up to 20 channels
General Function	One-key reset, anti-flicker, three streams, heartbeat, mirror, password protection, privacy mask, watermark, IP address filter
Standard	ONVIF (PROFILE S, PROFILE G), ISAPI
Web Browser	IE8+, Chrome31.0-44, Firefox30.0-51, Safari8.0+
<b>Interface</b>	
Audio	1 input (line in/mic in), 1 output (line out), mono
Communication Interface	1 RJ45 10M/100M Ethernet port; 1 RS-485 interface
Alarm	1 input, 1 output (up to 24 VDC 1A or 110 VDC 500mA)
Video Output	1Vp-p composite output (75 Ω/BNC)
On-board storage	Built-in Micro SD/SDHC/SDXC slot, up to 128 GB
Reset Button	Yes
<b>Audio</b>	
Environment Noise Filtering	Support
Audio Sampling Rate	8 kHz/16 kHz/32 kHz/44.1 kHz/48 kHz
<b>Smart Feature-set</b>	
Behavior Analysis	Line crossing detection, intrusion detection, region entrance detection, region exiting detection, unattended baggage detection, object removal detection
Line Crossing Detection	Cross a pre-defined virtual line, up to 4 pre-defined virtual lines supported
Intrusion Detection	Enter and loiter in a pre-defined virtual region, up to 4 pre-defined virtual regions supported
Region Entrance Detection	Enter a pre-defined virtual region from the outside place
Region Exit Detection	Exit from a pre-defined virtual region
Object Removal Detection	Objects removed from the pre-defined region, such as the exhibits on display.
Unattended Baggage Detection	Objects left over in the pre-defined region such as the baggage, purse, dangerous materials
Exception Detection	Scene change detection, defocus detection, audio exception detection
Recognition	Face detection
Statistics	Counting
<b>General</b>	
Operating Conditions	-30 °C to 60 °C (-22 °F to 140 °F), Humidity 95% or less (non-condensing)
Power Supply	12 VDC ± 20%, PoE (802.3at, class 4), three-core terminal blocks
Power Consumption and Current	12 VDC ± 20%: Max. 12 W/1 A PoE (802.3at, 42.5V-57V), 0.2 A to 0.3 A
Protection Level	IP67; TVS 4000V Lightning Protection, Surge Protection and Voltage Transient Protection
Dimensions	Camera: 348.38 × 114.18 × 111.73 mm (13.72" × 4.5" × 4.4") With package: 386 × 156 × 155 mm (15.2" × 6.1" × 6.1")
Weight	Camera: 1740 g (3.8 lb.) With package: 2125 g (4.7 lb.)

## Dimensions



Unit: mm (")