

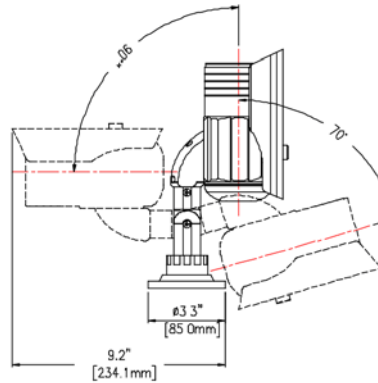
Varifocal Lens Bullet Cameras for Outdoor Performance

CMR5060/D, CMR5065, CMR5070/D Bullet IR Camera

Features

- 600/650/700TV Lines resolution
- SONY 1/3" Ex-view HAD CCD II
- SONY Effio-P DSP
- 2.8 ~ 12mm manual varifocal lens
- 42 pcs IR LEDs @850nm
- Advance 2D &3D noise reduction(DNR)
- Auto tone reproduction function(ATR)
- Auto white balance
- Auto back light compensation
- Auto gain control
- DC 12V/AC 24V+/-10% Auto polarity sensing input

Dimensions



OSD

IP66

Specifications

Model	CMR5060/5060D	CMR5065	CMR5070/5070D
Image	Image Sensor	SONY 1/3" Super HAD II CCD	1/3" Color CCD
	Effective Pixels	NTSC: 768(H) x 494(V)	NTSC: 768(H) x 494(V)
	Horizontal Resolution	600 TVL	650 TVL
Lens	Focal Length	2.8 ~ 12mm varifocal lens	2.8 ~ 12mm varifocal lens
	Iris	AES	AES
	Focus	Manual	Manual
	Zoom	Manual	Manual
	ICR	-	-
Electrical	Video System	NTSC	NTSC
	Video Scanning Type	2:1 Interlace	2:1 Interlace
	Sync. System	Internal	Internal
	S/N Ratio	> 50dB (AGC off)	> 50dB (AGC off)
	Min. Illumination	> 0.3 Lux@F1.2 (Color) 0 Lux/F1.2 (IR On)	> 0.3 Lux@F1.2 (Color) 0 Lux/F1.2 (IR On)
	Video Output	1 BNC, 1.0 Vp-p, 75 Ohm Composite	1 BNC, 1.0 Vp-p, 75 Ohm Composite
	Electronic Shutter	NTSC: 1/60 ~ 1/100,000 PAL: 1/50 ~ 1/100,000	NTSC: 1/60 ~ 1/100,000 PAL: 1/50 ~ 1/100,000
	White Balance	ATW /Push /User1 /User2 / Anti-CR /Push Lock	ATW /Push /User1 /User2 / Anti-CR /Push Lock
	BLC	OFF/BLC/HLC	OFF/BLC/HLC
	Gain Control	Auto / Low Lux AGC Multiplier	Auto / Low Lux AGC Multiplier
Function	OSD	Yes	Yes
	Wide Dynamic Range	Digital WDR (ATR)	Digital WDR (ATR)
	Star Light Sensing	-	-
	DNR	2D, OFF / or Y/C adjustment 16 Levels	2D, OFF / or Y/C adjustment 16 Levels
	Mirror	Horizontal Flip, ON/OFF	Horizontal Flip, ON/OFF
	Infrared Red Lamps	42 pcs IR LEDs	42 pcs IR LEDs
	Effective IR Lighting Distance	120 ft (36 m)	120 ft (36 m)
Power	Input Voltage	DC12V (CMR5060), DC12V/AC24V (CMR5060D)	DC12V
	Power Consumption	< 2W (LED OFF) / < 6W (LED ON)	< 2W (LED OFF) / < 6W (LED ON)
Environment	Weather Protection	IP 66 weather-proof	IP 66 weather-proof
	Vandal Protection	Vandal-resistant	Vandal-resistant
	Operating Temperature	14°F ~ 122 °F (-10°C ~ 50 °C)	14°F ~ 122 °F (-10°C ~ 50 °C)
	Storage Temperature	4°F ~ 144 °F (-20°C ~ 60 °C)	4°F ~ 144 °F (-20°C ~ 60 °C)
	Humidity	RH90% Max. (Non-condensing)	RH90% Max. (Non-condensing)
Mechanical	Chasis Material & Color	Aluminum & White	Aluminum & White
	Product Net Weight	2.2 lb (1000 g)	2.2 lb (1000 g)
	Product Dimension	260mm x 150mm	260mm x 150mm