

CMSD2023A/CMSD2023AB

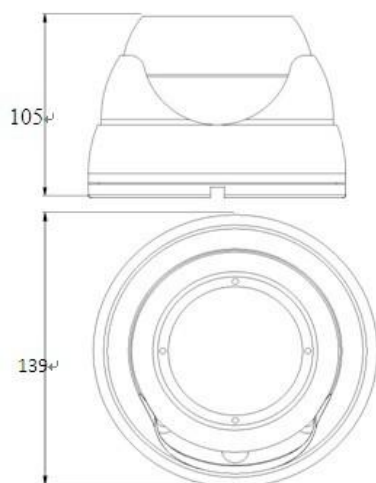
2.0 Mega 1/2.8" Sensor IR Turret Camera



KEY FEATURES

- 2 Mega Pixels
- 1/2.8" Sensor
- 3.3-12mm Mega Pixel Lens
- 36 pcs IR LEDs,100ft(30m)
- ATW,BLC,AGC,OSD,2D/3D DNR
- IP 66 weather-proof
- Vandal resistant
- Aluminum housing
- DC 12V input

DRAWING



SPECIFICATIONS

CMSD2023A/CMSD2023AB	
Camera	
Image Sensor	1/2.8" Sensor
Signal System	NTSC/PAL
Effective Pixels	2.0 Mega Pixel
Min. Illumination	0 Lux(IR LED ON)
Shutter Speed	NTSC:1/30s ~ 1/50,000s PAL: 1/25s ~ 1/50,000s
Lens	3.3-12mm Mega Pixel Lens
Day & Night	ICR
White Balance	ATW
BLC	Auto
Auto Gain Control	Auto
Horizontal Resolution	NTSC:1920×1080P@30fps PAL:1920×1080P@25fps
Synchronization	Internal synchronization
Video Output	1 BNC,1.0 Vp-p composite output (75 Ω)
Digital Noise Reduction	2D/3D DNR
S/N Ratio	More than 50 dB(AGC Off)
General	
Working Temperature /Humidity	-10°C ~ 50 °C (14 °F - 122°F) Humidity 85% or less (non-condensing)
Power Supply	12 V DC ± 10%
Power Consumption	Max. 5W with IR cut filter on
Weather-proof rating	IP66
Vandal proof	Vandal resistant
Infrared Red Lamps	36 pcs IR LEDs
IR Range	Approx. 100ft(30 meters)
Dimension	150x 150x 115mm(5.91"×5.91"×4.53")
Weight	840g (1.85 lbs)