

CMSD3323

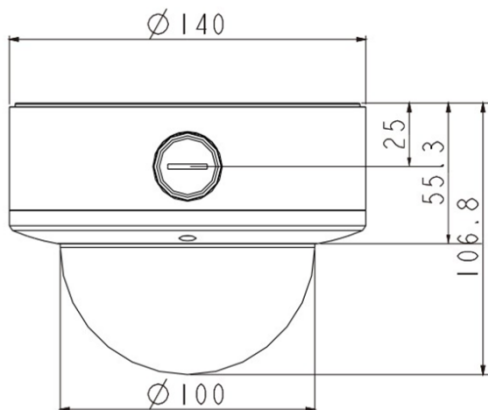
1080P HD-SDI Vandal Dome Camera



Key features

- 2 Mega Pixels
- 1/2.8" Sensor
- 2.8-12mm Mega Pixel Lens
- 35pcs IR LEDs, 100ft(30m)
- Mechanical IR Cut Filter
- Aluminum housing
- DC 12V input

Dimensions



CMSD3323	
Camera	
Image Sensor	1/2.8" Sensor
Signal System	NTSC/PAL
Effective Pixels	2 Mega Pixels
Min. Illumination	0 Lux(Infrared Lamps Turn on)
Shutter Speed	NTSC: 1/30-1/50000
	PAL: 1/25-1/50000
Lens	2.8-12mm Mega Pixel Lens
Day & Night	ICR
Horizontal Resolution	NTSC:1920X1080P / 30fps PAL:1920X1080P/ 25fps
Synchronization	Internal
S/N Ratio	> 50dB (AGC off)
Digital Noise Reduction	2D DNR & 3D DNR
White Balance	Auto Tracking White Balance
BLC	Auto
Auto Gain Control	Auto
Smart IR	Yes
General	
Working Temperature	-10°C ~ 50 °C
/Humidity	RH85% Max. (Non-condensing)
Power Supply	DC 12V
Power Consumption	< 5W(when the infrared lamps turn on)
Weather-proof rating	IP67
Infrared Red Lamps	35pcs
IR Range	100ft(30m)
Dimension	140mm x 140mm x 107mm
Weight	840g