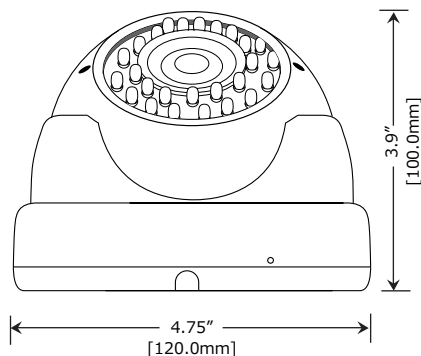


Outdoor/Indoor Heavy Duty Dome Cameras for Home or Business

CMT2050/2050B, CMT2063/CMT2063B Dome Camera

Features

- 1/3" CCD
- 2.8 ~ 12mm varifocal lens
- 35 pcs IR LEDs, 100ft
- Weather-resistant
- Vandal-resistant
- Aluminum housing



Specifications

Model	CMT2050/CMT2050B	CMT2063/CMT2063B	
Image	Image Sensor	SONY 1/3" Super HAD CCD	1/3" PixelPlus
	Effective Pixels	NTSC: 768 (H) X 494 (V)	NTSC: 728(H) x 488(V)
	Horizontal Resolution	540 TVL	600 TVL
Lens	Focal Length	2.8 ~ 12mm varifocal lens	2.8 ~ 12mm varifocal lens
	Iris	AES	AES
	Focus	Manual	Manual
	Zoom	Manual	Manual
	ICR	-	-
	Electrical	Video System	NTSC
	Video Scanning Type	2:1 Interlace	2:1 Interlace
	Sync. System	Internal	Internal
	S/N Ratio	> 50dB (AGC off)	> 50dB (AGC off)
	Min. Illumination	> 0.3 Lux@F1.2 (Color) 0 Lux/F1.2 (IR On)	> 0.3 Lux@F1.2 (Color) 0 Lux/F1.2 (IR On)
	Video Output	1 BNC, 1.0 Vp-p, 75 Ohm Comp.	1 BNC, 1.0 Vp-p, 75 Ohm Comp.
Function	Electronic Shutter	NTSC: 1/60 ~ 1/100,000	NTSC: 1/60 ~ 1/100,000
	White Balance	ATW	ATW
	BLC	Auto	Auto
	Gain Control	Auto	Auto
	OSD	-	-
	Wide Dynamic Range	-	-
	Star Light Sensing	-	-
	DNR	-	-
	Mirror	-	-
	Infrared LED	Infrared Red Lamps	35 pcs IR LEDs
Effective IR Lighting Distance		100ft (33m)	100ft (33m)
Power		Input Voltage	DC 12V
	Power Consumption	<2W (LED OFF) / <6W (LED ON)	< 2W (LED OFF) / <6W (LED ON)
Environment	Weather Protection	Weather-resistant	Weather-resistant
	Vandal Protection	Vandal-resistant	Vandal-resistant
	Operating Temperature	14°F ~ 122 °F (-10°C ~ 50 °C)	14°F ~ 122 °F (-10°C ~ 50 °C)
	Storage Temperature	4°F ~ 144 °F (-20°C ~ 60 °C)	4°F ~ 144 °F (-20°C ~ 60 °C)
	Humidity	RH90% Max. (Non-condensing)	RH90% Max. (Non-condensing)
Mechanical	Chasis Material & Color	Aluminum & White (CMT2050) Gray (CMT2050B)	Al. White (CMT2063) Gray (CMT2063B)
	Product Net Weight	1.72 lb (780 g)	1.72 lb (780 g)
	Product Dimension	120mm x 100mm	120mm x 100mm