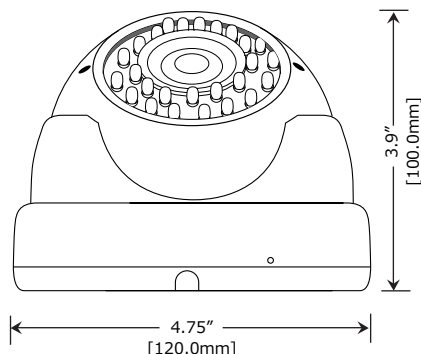


Varifocal Lens Camera for **Outdoor** Performance

CMT2065/2065B, CMT2075/2075B Turret Camera

Features

- SHARP 1/3" CCD
- 2.8 ~ 12mm varifocal lens
- 35 pcs IR LEDs, 100ft
- Weather-resistant
- Vandal-resistant
- Aluminum housing



Specifications

Model	CMT2065/2065B	CMT2075/2075B	
Image	Image Sensor	1/3" high sensitivity CCD	1/3" high sensitivity CCD
	Effective Pixels	NTSC: 768 (H) X 494 (V)	NTSC: 768 (H) X 494 (V)
	Horizontal Resolution	650 TVL	700 TVL
Lens	Focal Length	2.8 ~ 12mm varifocal lens	2.8 ~ 12mm varifocal lens
	Iris	AES	AES
	Focus	Manual	Manual
	Zoom	Manual	Manual
	ICR	-	-
	Video System	NTSC	NTSC
Electrical	Video Scanning Type	2:1 Interlace	2:1 Interlace
	Sync. System	Internal	Internal
	S/N Ratio	> 50dB (AGC off)	> 50dB (AGC off)
	Min. Illumination	> 0.3 Lux@F1.2 (Color) 0 Lux/F1.2 (IR On)	> 0.3 Lux@F1.2 (Color) 0 Lux/F1.2 (IR On)
	Video Output	1 BNC, 1.0 Vp-p, 75 Ohm Comp.	1 BNC, 1.0 Vp-p, 75 Ohm Comp.
Function	Electronic Shutter	NTSC: 1/60 ~ 1/100,000	NTSC: 1/60 ~ 1/100,000
	White Balance	ATW	ATW
	BLC	Auto	Auto
	Gain Control	Auto	Auto
	OSD	-	-
	Wide Dynamic Range	Digital WDR (ATR)	Digital WDR (ATR)
	Star Light Sensing	-	-
	DNR	2D DNR	2D DNR
	Mirror	-	-
	Infrared LED	Infrared Red Lamps	35 pcs IR LEDs
Effective IR Lighting Distance		100ft (33m)	100ft (33m)
Input Voltage		DC 12V	DC 12V
Power	Power Consumption	< 2W (LED OFF) / <6W (LED ON)	< 2W (LED OFF) / <6W (LED ON)
	Weather Protection	Weather-resistant	Weather-resistant
Environment	Vandal Protection	Vandal-resistant	Vandal-resistant
	Operating Temperature	14°F ~ 122 °F (-10°C ~ 50 °C)	14°F ~ 122 °F (-10°C ~ 50 °C)
	Storage Temperature	4°F ~ 144 °F (-20°C ~ 60 °C)	4°F ~ 144 °F (-20°C ~ 60 °C)
	Humidity	RH90% Max. (Non-condensing)	RH90% Max. (Non-condensing)
Mechanical	Chassis Material & Color	Aluminum & White (CMT2065) Gray (CMT2065B)	Aluminum & White (CMT2075) Gray (CMT2075B)
	Product Net Weight	1.72 lb (780 g)	1.72 lb (780 g)
	Product Dimension	120mm x 100mm	120mm x 100mm