

MEGAPIXEL LENS



3 UP TO MP

2.2~6mm VARI-FOCAL LENS

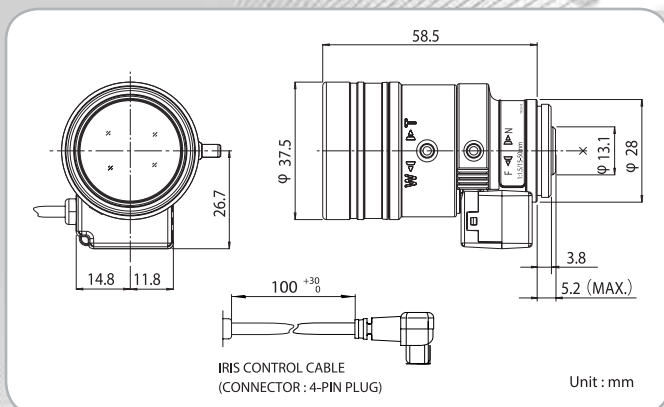
Vari-Focal • For Mega pixel Camera
DC Auto Iris • CS Mount • ND Filter

High image-quality monitoring with optical performance supporting 3 megapixels. WIDE 2.2mm, achieving a horizontal field angle of 120 degrees (when used on 1/3 cameras). Compact and lightweight design, best suited for use with dome cameras. Designed to maximize optical performance with high-accuracy aspheric lens, low-dispersion glass, and high refractive-index glass. Built-in ND filter of T360, supporting high sensitivity cameras.

KEY FEATURES

- High image-quality monitoring with optical performance supporting 3 megapixels.
- WIDE 2.2mm, achieving a horizontal field angle of 120 degrees when used on 1/3 cameras).
- Compact and lightweight design, best suited for use with dome cameras.
- Designed to maximize optical performance with high-accuracy aspheric lens, low-dispersion glass, and high refractive-index glass.
- Built-in ND filter of T360, supporting high sensitivity cameras.

DIMENSIONS



LA MPFU2206AS			
Focal Length (mm)		2.2~6 (2.7×)	
Iris Range		F1.3 ~ T360 (Equivalent to F360)	
Operation	Zoom	Manual	
	Focus	Manual	
	Iris	Auto (DC Type)(*1)	
Angle Of View (H×V)	1/3"	WIDE	120°00' × 91°36'
		TELE	46°26' × 34°59'
	1/4"	WIDE	91°36' × 69°21'
		TELE	34°59' × 26°18'
Focusing Range (From Front Of The Lens)(m)		∞ ~ 0.3	
Object Dimensions at M.O.D. (H×V)(mm)	1/3"	WIDE	1075 × 638
		TELE	266 × 196
	1/4"	WIDE	638 × 429
		TELE	196 × 145
Back Focal Distance (in air)(mm)		7.70	
Exit Pupil Position (From Image Plane)(mm)		-452	
Filter Thread (mm)		-	
Mount		CS	
Mass (g)		55	
Coil Resistance		Drive Coil 190Ω Damping Coil 500Ω	
Current Consumption		23mA (Max.) at DV 4V	
Remarks		-With Metal Mount (*1) When power is turned off, iris will automatically close. YV2.7×2.2SA-SA2L : Long Cable Type (230mm)	