

5 Megapixel Resolution Box
Camera With PoE
Audio Microphone
External MicroSD Memory Slot
Alarm IO Audio In/Out DC IRIS



H.264
ONVIF

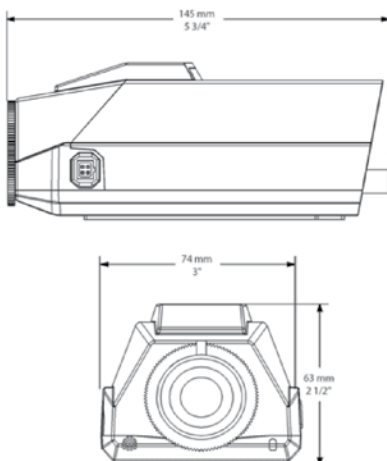
5 MEGAPIXEL FULL-HD IP BOX CAMERA with POE/AUDIO MICROPHONE

FEATURES

Full HD IP WDR box Camera with Mechanical ICR
Alarm Input and Output
Service BNC Output
RS485 output
Built in Audio Microphone
Micro SD Memory Slot
DC12V / PoE



DIMENSIONS



NCO A52F	
CAMERA	
Sensor	Aptina 1/2.5" WDR CMOS
Max Resolution / FPS	2048x1536 / 30fps
Min. illumination	0.5Lux @ F1.2 (Color) (0 Lux IR LED On)
Day / Night	True Day / Night with ICR Filter.
IR LEDs	Works with external IR Lighting
Lens	Standard CS Mount lens fitting.
Video Output	Rear Mount BNC video output with IP Address OSD
Electronic Shutter	Auto / User 1/5 - 1/50, 0000; 50/60Hz software selectable.
PARAMETERS	
Compression	H-264 High Profile (Support Baseline Profile) / MJPEG
Bit Rate (CBR/VBR)	Stream1 50Kbps - 12Mbps ; Stream2 10Kbps - 6Mbps ; Stream3 (Fixed)
Quality Setting	1 - 9 (9 Highest)
Multi- Streaming	User setting of Stream 1/2 at supported Resolutions, Stream3 MJPEG Stream
Brightness / Sharpness	Variable 0~100 / 0~100
Gain Control	Auto / Fixed 8~102db
Orientation	Horizontal Mirror / Vertical Flip
Text Overlay	Time / Date / Camera / Custom OSD
Masking	5 User defined masking areas < 8% of total picture
NETWORK	
Ethernet	1 Ethernet (10/100 Base-T) RJ-45 Connector
TCP/IP	IPv4 / IPv6 (DHCP / Fixed)
Compliance	Onvif v2.2 Profile-S Listed
RTSP Video	Standard RFC2326, Support QuickTime / VLC Player. User security authentication (Enabled / Disabled)
Web Language	English, Chinese, Russian, Polish, (European Languages coming 2013)
Recording Simultaneous	Local Micro SD Memory, Remote FTP server, TCP/UDP CMS, RTSP connection (stream 1,2 or 3)
Network Protocols:	HTTP, TCP/IP, UDP/IP, RTSP, FTP, DHCP, NTP, PPoE, NTP. Unicast and Multicast supported.
Memory Card Slot	Internal memory card supports Max 64GB. Supports Edge Recording
AUDIO	
Input / Output	1 x RCA Input / 1 x RCA Output @ 1v Line Level
Audio Compression	G711 A-Law, G711 U-Law, RAW_PCM
GENERAL	
Power	12V DC @ 170mA / PoE Class 3
Temperature	Operating: 14 °F to 131 °F (-10 °C to 55 °C) Storage: -4 °F to 140 °F (-20 °C to 60 °C)
Operating Humidity	10% - 85% RH
Approvals	CE / FCC / RoHS Compliant
Product Dimensions	145 x 64 mm (5.8 x 2.5)