



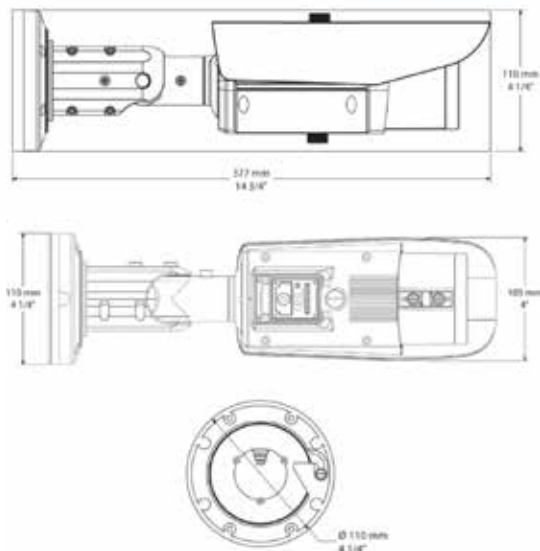
- 3 Megapixel Resolution
- Infrared LED for Night Vision
- Mechanical IR-Cut Filter
- Micro SD Memory slot
- WDR (Wide Dynamic Range)
- 3 High Power IR LED & 14 SuperFlux LED cover up to 100ft
- LENS CONTROL - External Lens Control Knobs (Zoom/Focus)

3 MEGAPIXEL FULL-HD IP WDR OUTDOOR IR BULLET CAMERA with ICR

FEATURES

- ▶ New Design Full HD IP WDR Nightvision Bullet Camera with IR LED with Mechanical ICR
- ▶ Service BNC Output
- ▶ SD Memory Slot
- ▶ Varifocal Lens 3.3~12mm
- ▶ 14pcs SuperFlux LED
- ▶ 3pcs High Power LED for 100ft IR Distance
- ▶ Water-Resistant IP66
- ▶ 3 Axis Cable Management Bracket
- ▶ External Zoom & Focus Adjustment
- ▶ DC12V / PoE

DIMENSIONS



NIR A332FD	
CAMERA	
Sensor	Aptina 1/3" WDR CMOS
Max Resolution / FPS	2048x1536 / 30fps
Min. illumination	0.5Lux @ F1.2 (Color) (0 Lux IR LED On)
Day / Night	True Day / Night with ICR Filter.
IR LEDs	3 High Power IR LED & 14 SuperFlux LED cover up to 100ft
Lens	3.3-12mm Vari-focal IR Corrected / (Optional 9-22mm & 5-50mm)
Video Output	Service RCA Video output with IP OSD via bottom access panel
Electronic Shutter	Auto / User 1/5 - 1/50, 0000; 50/60Hz software selectable.
PARAMETERS	
Compression	H-264 High Profile (Support Baseline Profile) / MJPEG
Bit Rate (CBR/VBR)	Stream1 50Kbps - 12Mbps ; Stream2 10Kbps - 6Mbps ; Stream3 (Fixed)
Quality Setting	1 - 9 (9 Highest)
Multi-Streaming	User setting of Stream 1/2 at supported Resolutions, Stream3 MJPEG Stream
Brightness / Sharpness	Variable 0~100 / 0~100
Gain Control	Auto / Fixed 8~102db
Orientation	Horizontal Mirror / Vertical Flip
Text Overlay	Time / Date / Camera / Custom OSD
Masking	5 User defined masking areas < 8% of total picture
NETWORK	
Ethernet	1 Ethernet (10/100 Base-T) RJ-45 Connector
TCP/IP	IPv4 / IPv6 (DHCP / Fixed)
Compliance	Onvif v2.2 Profile-S Listed
RTSP Video	Standard RFC2326, Support QuickTime / VLC Player. User security authentication (Enabled / Disabled)
Web Language	English, Chinese, Russian, Polish, (European Languages coming 2013)
Recording Simultaneous	Local Micro SD Memory, Remote FTP server, TCP/UDP CMS, RTSP connection (stream 1,2 or 3)
Network Protocols:	HTTP, TCP/IP, UDP/IP, RTSP, FTP, DHCP, NTP, PoE, NTP. Unicast and Multicast supported.
Memory Card Slot	Internal memory card supports Max 64GB. Supports Edge Recording
AUDIO	
Input / Output	1 x RCA Input / 1 x RCA Output @ 1v Line Level
Audio Compression	G711 A-Law, G711 U-Law, RAW_PCM
GENERAL	
Power	12V DC @ 840mA (IR LED On) / PoE Class 3
Temperature	Operating: 14 °F to 131 °F (-10 °C to 55 °C) Storage: -4 °F to 140 °F (-20 °C to 60 °C)
Operating Humidity	10% - 85% RH
Approvals	CE / FCC / RoHS Compliant / IP66 / IK5
Product Dimensions	377 x 110 mm (13.75" x 4.25")