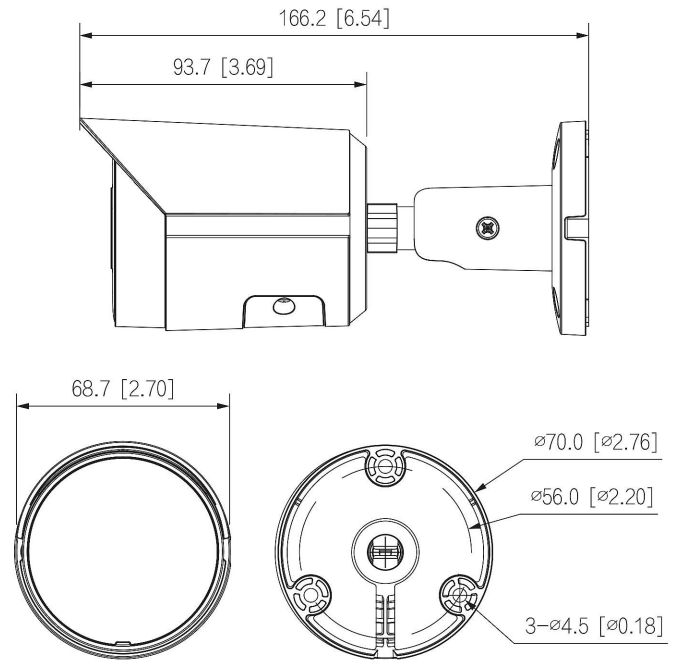


EYEMAX 8MP Network Bullet Camera, Fixed Lens, WizSense AI



WizSense AI • SMD Plus • IR Distance up to 100ft(30m) • 120dB WDR • IP67 • 2.8mm Fixed Lens

Mount Accessories

Junction Box	CJB E134
Water-proof Junction Box	CJB E130

Overview

Utilizing advanced deep learning algorithms, the WizSense 2 Series network camera offers intelligent features like perimeter protection and smart motion detection. Its starlight technology ensures exceptional image quality even in low-light conditions.

SMD Plus

Smart Motion Detection technology employs intelligent algorithms to categorize and filter motion triggers,

ensuring effective and accurate alarms.

Smart H.265+ & Smart H.264+

Smart encoding technology, powered by an advanced scene-adaptive rate control algorithm, achieves higher efficiency than H.265 and H.264. This results in superior video quality while reducing storage and transmission costs.

Perimeter Protection

Perimeter Protection technology, utilizing deep learning algorithms, accurately recognizes humans and vehicles, significantly reducing false alarms in restricted areas based on detection criteria like tripwire and intrusion.

WDR

Utilizing advanced Wide Dynamic Range (WDR) technology, our network camera captures clear details even in high-contrast environments with strong brightness variations, ensuring clarity in both bright and dark areas, even in backlight conditions.

Cyber Security

Our network cameras utilize a range of security technologies, including authentication, access control, encryption, and trusted protection, enhancing their resilience against cyber threats and safeguarding against malicious programs.

IP67 Protection

The camera undergoes rigorous dust and water tests, with a dust-proof design and the ability to function normally after being submerged in 1 meter of water for 30 minutes.

EYEMAX 8MP Network Bullet Camera, Fixed Lens, WizSense AI

Wide Voltage Protection

The camera accommodates a $\pm 30\%$ input voltage tolerance (wide voltage range), making it suitable for outdoor environments with unstable power.

FEATURES

- 8-MP 1/2.7" CMOS image sensor, low luminance, and high definition image.
- Outputs max. 8 MP (3840 × 2160) @20 fps, and supports 2688 × 1520 (2688 × 1520) @25/30 fps.
- H.265 codec, high compression rate, ultra-low bit rate.
- Built-in IR LED, and the max. illumination distance is 30 m.
- ROI, SMART H.264+/H.265+, flexible coding, applicable to various bandwidth and storage environments.
- Rotation mode, WDR, 3D NR, HLC, BLC, digital watermarking, applicable to various monitoring scenes.
- Intelligent monitoring: Intrusion, tripwire (the two functions support the classification and accurate detection of vehicle and human).
- Abnormality detection: Motion detection, video tampering, audio detection, no SD card, SD card full, SD card error, network disconnection, IP conflict, illegal access, and voltage detection.
- Supports max. 256 G Micro SD card; built in MIC.
- 12 VDC/PoE power supply.
- IP67 protection.
- SMD Plus.

SPECIFICATIONS

Camera	
Image Sensor	1/2.7" CMOS
Max. Resolution	3840 (H) × 2160 (V)
ROM	128 MB
RAM	256 MB
Scanning System	Progressive
Electronic Shutter Speed	Auto/Manual 1/3 s-1/100,000 s
Min. Illumination	0.009 lux@F2.0 (Color, 30 IRE) 0.0009 lux@F2.0 (B/W, 30 IRE) 0 lux (Illuminator on)

EYEMAX 8MP Network Bullet Camera, Fixed Lens, WizSense AI

S/N Ratio	>56 dB
Illumination Distance	30 m (98.43 ft) (IR)
Illuminator On/Off Control	Auto; Manual
Illuminator Number	1 (IR LED)
Pan/Tilt/Rotation Range	Pan: 0°-360° Tilt: 0°-90° Rotation: 0°-360°
Lens	
Lens Type	Fixed-focal
Lens Mount	M12
Focal Length	2.8 mm
Max. Aperture	F2.0
Field of View	H: 106°; V: 56°; D: 125°
Iris Control	Fixed
Close Focus Distance	1.3 m (4.27 ft)
DORI Distance	Detect: 88.0 m (288.71 ft) Observe: 35.2 m (115.49 ft) Recognize: 17.6 m (57.74 ft) Identify: 8.8 m (28.87 ft)
Intelligence	
IVS (Perimeter Protection)	Intrusion, tripwire (the two functions support the classification and accurate detection of vehicle and human)
Smart Search	Work together with Smart NVR to perform refine intelligent search, event extraction and merging to event videos
Video	
Video Compression	H.265; H.264; H.264H; H.264B; MJPEG (Only supported by the sub stream)
Smart Codec	Smart H.265+; Smart H.264+
Video Frame Rate	Main stream: 3840 × 2160@(1-20 fps)/2688 × 1520@ (1-25/30 fps) sub stream: 704 × 576@(1-25 fps)/704 × 480@(1-30 fps) *The values above are the max. frame rates of each stream; for multiple streams, the values will be subjected to the total encoding capacity.
Stream Capability	2 streams

EYEMAX 8MP Network Bullet Camera, Fixed Lens, WizSense AI

Resolution	3840 × 2160 (3840 × 2160); 3072 × 2048 (3072 × 2048); 3072 × 1728 (3072 × 1728); 2880 × 1620 (2880 × 1620); 2688 × 1520 (2688 × 1520); 3M (2048 × 1536); 2304 × 1296 (2304 × 1296); 1080p (1920 × 1080); 1.3M (1280 × 960); 720p (1280 × 720); D1 (704 × 576/704 × 480); VGA (640 × 480); CIF (352 × 288/352 × 240)
Bit Rate Control	CBR/VBR
Video Bit Rate	H.264: 32 kbps–8192 kbps H.265: 12 kbps–8192 kbps
Day/Night	Auto(ICR)/Color/B/W
BLC	Yes
HLC	Yes
WDR	120 dB
White Balance	Auto; natural; street lamp; outdoor; manual; regional custom
Gain Control	Auto; Manual
Noise Reduction	3D NR
Motion Detection	OFF/ON (4 areas, rectangular)
Region of Interest (RoI)	Yes (4 areas)
Smart Illumination	Yes
Image Rotation	0°/90°/180°/270° (Support 90°/270° with 2688 × 1520 resolution and lower)
Mirror	Yes
Privacy Masking	4 areas
Audio	
Built-in MIC	Yes
Audio Compression	G.711a; G.711Mu; PCM; G.726
Alarm	
Alarm Event	No SD card; SD card full; SD card error; network disconnection; IP conflict; illegal access; motion detection; video tampering; tripwire; intrusion; audio detection; voltage detection; SMD; security exception
Network	
Network Port	RJ-45 (10/100 Base-T)
SDK and API	Yes
Network Protocol	IPv4; IPv6; HTTP; TCP; UDP; ARP; RTP; RTSP; RTCP; RTMP; SMTP; FTP; SFTP; DHCP; DNS; DDNS; QoS; UPnP; NTP; Multicast; ICMP; IGMP; NFS; PPPoE; Bonjour

EYEMAX 8MP Network Bullet Camera, Fixed Lens, WizSense AI

Interoperability	ONVIF (Profile S/Profile G/Profile T); CGI; P2P; Milestone
User/Host	20 (Total bandwidth: 48 M)
Storage	FTP; SFTP; Micro SD card (support max. 256 GB); NAS
Browser	IE / Chrome / Firefox
Management Software	Smart PSS; DSS; DMSS
Mobile Client	iOS; Android
Cyber Security	Configuration encryption; trusted execution; Digest; security logs; WSSE; account lockout; syslog; video encryption; 802.1x; IP/MAC filtering; HTTPS; trusted upgrade; trusted boot; firmware encryption; generation and importing of X.509 certification
Certification	
Certifications	CE-LVD: EN62368 ~ 1; CE-EMC: Electromagnetic Compatibility Directive 2014/30/EU; FCC: 47 CFR FCC Part 15, Subpart B; UL/CUL: UL60950 ~ 1 CAN/CSA C22.2 No.60950 ~ 1-07
Power	
Power Supply	12 VDC/PoE (802.3af)
Power Consumption	Basic: 2.7 W (12 VDC); 3.4 W (PoE) Max. (H.265+ max. resolution + max. stream+ WDR + IR intensity + IVS): 4.5 W (12 VDC); 5.4 W (PoE)
Environment	
Operating Temperature	-40°C to +60°C (-40°F to +140°F)
Operating Humidity	≤95%
Storage Temperature	-40°C to +60°C (-40°F to +140°F)
Storage Humidity	≤95%
Protection	IP67
Structure	
Casing Material	Metal
Product Dimensions	166.2 mm × 70 mm × 70 mm (6.54" × 2.76" × 2.76") (L × W × H)
Net Weight	0.48 kg (1.06 lb)
Gross Weight	0.59 kg (1.30 lb)