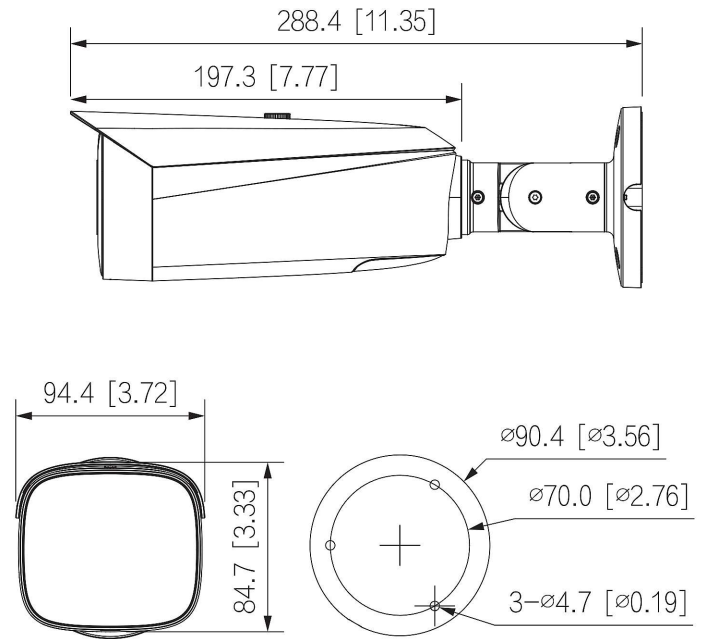


EYEMAX 8MP Dual Illumination Bullet IP Camera, WizSense AI, Active Deterrence



Smart Dual Illuminators (IR + White Light) IR mode white light turns on motion detection • WizSense AI • SMD 4.0 • Red & Blue Warning Light + Siren • 100ft IR / Warm Light Distance • 2.8mm Fixed Lens • 120dB WDR • 12VDC/PoE • IP67

Mount Accessories

Junction Box	CJB E135
Water-proof Junction Box	CJB E130

Overview

Featuring advanced deep learning algorithms, the WizSense 3 Series network camera offers intelligent features like perimeter protection and smart motion detection. Its starlight technology ensures superior image quality in low-light conditions.

Siren And Light Active Deterrence

Our siren and light active deterrence network camera activates light and voice alarms during perimeter events, providing effective deterrence and intervention. It offers multiple voice options and supports custom voice uploads.

Smart Dual Illuminators

Our Smart Dual Illuminators technology utilizes a smart algorithm for target detection. It activates the IR illuminator at night, switches to warm light when a target enters the monitoring area, records full-color video and key event data, and turns off warm light and switches back to the IR illuminator when the target leaves the area, effectively reducing light pollution.

SMD 4.0

Smart Motion Detection technology uses intelligent algorithms to classify motion-triggered alarms, filtering out non-target objects like animals to prevent false alarms. When paired with an AI NVR, Quick Pick technology simplifies the search for and selection of human and vehicle targets in SMD event videos, prioritizing the best matches.

One-tap Disarming

The One-tap Disarming function offers convenient event linkage control. Customers can easily enable or disable event linkage through the mobile app, catering to various scenarios.

Cyber Security

Our network cameras use advanced security measures, including authentication, access control, encryption, and trusted protection, enhancing their resilience against cyber threats and safeguarding against malicious programs.

EYEMAX 8MP Dual Illumination Bullet IP Camera, WizSense AI, Active Deterrence

IP67 Protection

The camera undergoes rigorous tests for dust and water resistance. It is dust-proof and remains operational after submersion in 1m deep water for 30 minutes.

Wide Voltage Protection

The camera supports $\pm 30\%$ input voltage tolerance, making it ideal for outdoor environments with unstable power.

FEATURES

- 8-MP 1/2.8" CMOS image sensor, low luminance, and high definition image.
- Outputs max. 8 MP (3840 × 2160)@25/30 fps.
- H.265 codec, high compression rate, ultra-low bit rate.
- Built-in warm light and IR LED; the max. IR illumination distance is 30 m and warm light distance is 30 m.
- ROI, SMART H.264+/H.265+, AI H.264/H.265, flexible coding, applicable to various bandwidth and storage environments.
- Rotation mode, WDR, 3D NR, HLC, BLC, digital watermarking, applicable to various monitoring scenes.
- Intelligent monitoring: Intrusion, tripwire (the two function support the classification and accurate detection of vehicle and human).
- Abnormality detection: Motion detection, privacy masking, scene changing, audio detection, no SD card, SD card full, SD card error, network disconnection, IP conflict, illegal access, and voltage detection.
- Alarm: 1 in, 1 out; audio: 1 in, 1 out; supports max. 256 G Micro SD card; built-in dual MICs; 1-ch speaker; support two-way talk.
- 12 VDC/PoE power supply.
- IP67 protection.
- Sound and light alarm (red and blue lights).
- SMD 4.0.
- One-click arming/disarming through alarm input.

SPECIFICATIONS

Camera

EYEMAX 8MP Dual Illumination Bullet IP Camera, WizSense AI, Active Deterrence

Image Sensor	1/2.8" CMOS
Max. Resolution	3840 (H) × 2160 (V)
ROM	128 MB
RAM	512 MB
Scanning System	Progressive
Electronic Shutter Speed	Auto/Manual 1/3 s–1/100,000 s
Min. Illumination	0.004 lux@F1.0 (Color, 30 IRE) 0.0004 lux@F1.0 (B/W, 30 IRE) 0 lux (illuminator on)
S/N Ratio	>56dB
Illumination Distance	30 m (98.43 ft) (IR) 30 m (98.43 ft) (warm light)
Illuminator On/Off Control	Auto/Manual
Illuminator Number	2 (IR LED) 2 (warm light)
Pan/Tilt/Rotation Range	Pan: 0°–360° Tilt: 0°–90° Rotation: 0°–360°
Lens	
Lens Type	Fixed-focal
Mount Type	M12
Focal Length	2.8 mm
Field of View	H: 106°; V: 55°; D: 125°
Iris Type	Fixed
Close Focus Distance	2.0 m (6.56 ft)
DORI Distance	Detect: 91.0 m (298.56 ft) Observe: 36.4 m (119.42 ft) Recognize: 18.2 m (59.71 ft) Identify: 9.1 m (29.86 ft)
Intelligence	
IVS (Perimeter Protection)	Tripwire; intrusion (support the classification and accurate detection of vehicle and human)
SMD 4.0	Less false alarm, longer detection distance

EYEMAX 8MP Dual Illumination Bullet IP Camera, WizSense AI, Active Deterrence

Smart Search	Work together with Smart NVR to perform refine intelligent search, event extraction and merging to event videos
Quick Pick	With AI NVR, quickly pick up the human/vehicle targets that users are interested in from SMD events
AI SSA	Adopt deep learning algorithms to adjust the parameters of the image to suit the conditions.
Video	
Video Compression	H.265; H.264; H.264H; H.264B; MJPEG (only supported by the sub stream)
Smart Codec	Smart H.265+; Smart H.264+
AI Coding	AI H.265; AI H.264
Video Frame Rate	Main stream: 3840 × 2160@(1 fps-30 fps) Sub stream: 704 × 576@(1 fps-25 fps)/704 × 480@(1fps-30 fps) Third stream:1920 × 1080@(1 fps-30 fps) *The values above are the max. frame rates of each stream; for multiple streams, the values will be subjected to the total encoding capacity
Stream Capability	3 streams
Resolution	8M (3840 × 2160); 6M (3072 × 2048); 5M (3072 × 1728/2592 × 1944); 4M (2688 × 1520/2560 × 1440); 3M (2048 × 1536/2304 × 1296); 1080p (1920 × 1080); 1.3M (1280 × 960); 720p (1280 × 720); D1 (704 × 576/704 × 480); VGA (640 × 480); CIF (352 × 288/352 × 240)
Bit Rate Control	CBR/VBR
Video Bit Rate	H.264: 32kbps-8192 kbps H.265: 12kbps-8192 kbps
Day/Night	Auto (ICR)/Color/B/W
BLC	Yes
HLC	Yes
WDR	120 dB
Scene Self-adaptation	Yes
White Balance	Auto; natural; street lamp; outdoor; manual; regional custom
Gain Control	Auto; manual
Noise Reduction	3D NR
Motion Detection	OFF/ON (4 areas)
Region of Interest (RoI)	Yes (4 areas)
Smart Illumination	Yes

EYEMAX 8MP Dual Illumination Bullet IP Camera, WizSense AI, Active Deterrence

Defog	Yes
Image Rotation	0°/90°/180°/270° (Support 90°/270° with 2688 × 1520 resolution and lower)
Mirror	Yes
Privacy Masking	8 areas
Alarm	
Alarm Event	No SD card; SD card full; SD card error; network disconnection; IP conflict; illegal access; motion detection; video tampering; tripwire; intrusion; scene changing; audio detection; voltage detection; external alarm; SMD; security exception
Network	
Network	RJ-45 (10/100 Base-T)
SDK and API	Yes
Cyber Security	Video encryption; firmware encryption; configuration encryption; Digest; WSSE; account lockout; security logs; IP/MAC filtering; generation and importing of X.509 certification; syslog; HTTPS; 802.1x; trusted boot; trusted execution; trusted upgrade
Protocol	IPv4; IPv6; HTTP; TCP; UDP; ARP; RTP ; RTSP; RTCP; RTMP; SMTP; FTP; SFTP; DHCP; DNS; DDNS; QoS; UPnP; NTP; Multicast; ICMP; IGMP; NFS; SAMBA; PPPoE; SNMP
Interoperability	ONVIF (Profile S/Profile G/Profile T); CGI; Milestone; P2P; RTMP
User/Host	20 (Total bandwidth: 72 M)
Storage	FTP; SFTP; Micro SD card (support max. 256 G); NAS
Browser	IE: IE8/9/11 Chrome Firefox
Management Software	Smart PSS; DSS; DMSS
Mobile Phone	iOS; Android
Certification	
Certification	CE-LVD: EN 62368 ~ 1; CE-EMC: Electromagnetic Compatibility Directive 2014/30/EU; FCC: 47 CFR FCC Part 15, Subpart B; UL/CUL:UL62368 ~ 1 & CAN/CSA C22.2 No. 62368 ~ 1-14;
Port	
Audio Input	1 channel (RCA port)
Audio Output	1 channel (RCA port)

EYEMAX 8MP Dual Illumination Bullet IP Camera, WizSense AI, Active Deterrence

Alarm Input	1 channel in: 5mA 3V-5 VDC
Alarm Output	1 channel out: 300mA 12 VDC
Power	
Power Supply	12V DC/PoE (802.3af)
Power Consumption	Basic: 4.5 W (12 VDC); 5.5 W (PoE) Max. (pulling stream+warning light+speaker+warm light on): 7.6 W (12 VDC); 9.1 W (PoE)
Environment	
Operating Conditions	-40°C to +60°C (-40°F to +140°F)/Less than 95% RH
Storage Conditions	-40°C to +60°C (-40°F to +140°F)
Protection Grade	IP67
Structure	
Casing	Metal + plastic
Dimensions	288.4 mm × 94.4 mm × 84.7 mm (L × W × H) 11.35" × 3.72" × 3.33" (L × W × H)
Net Weight	1.0 kg (2.20 lb)
Gross Weight	1.23 kg (2.71 lb)