



3 MEGAPIXEL IP WDR OUTDOOR IR DOME CAMERA with ICR

ONVIF H.264



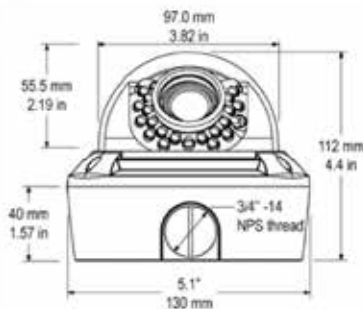
3 Megapixel Resolution
Infrared LED for Night Vision
Mechanical IR-Cut Filter
Micro SD Memory Slot
Power over Ethernet (PoE)
12 IR LED up to 32ft

FEATURES

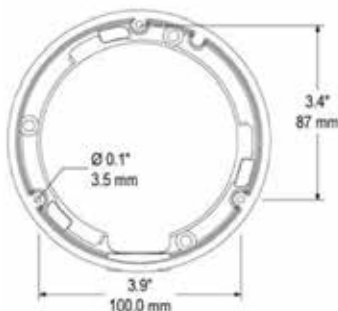
Full HD IP IR Vandalproof Dome Camera
Digital Clarity CMOS Imaging Technology
1/2.8" CMOS with Mechanical ICR
Service BNC Output
Audio Input and Audio Output
Micro SD Memory Slot
Varifocal Lens 3.3-12mm
3 Axis Movement
Full Range of Optional Brackets
12 pcs IR LED for 32-50 ft IR Distance
Water-Resistant IP66
Vandal-Proof
DC12V / PoE

DIMENSIONS

Camera Dimensions



Base Hole Screw Dimensions



| NIT-A312FD | |
|-------------------------|---|
| CAMERA | |
| Sensor | Aptina 1/3" WDR CMOS |
| Max Resolution / FPS | 2048x1536 / 30fps |
| Min. illumination | 0.5Lux @ F1.2 (Color) (0 Lux IR LED On) |
| Day / Night | True Day / Night with ICR Filter |
| IR LEDs | 15pc Super Flux IR LED 850nm for 10-15 Meters (33 - 49 feet) |
| Lens | 3.3-12mm Vari-focal IR Corrected DC Auto IRIS |
| Video Output | Internal Service RCA output for BNC Video with IP Address OSD |
| Electronic Shutter | Auto / User 1/5 - 1/50,000; 50/60Hz software selectable |
| PARAMETERS | |
| Compression | H-264 High Profile (Support Baseline Profile) / MJPEG |
| Bit Rate (CBR/VBR) | Stream1 50Kbps - 12Mbps ; Stream2 10Kbps - 6Mbps ; Stream3 (Fixed) |
| Quality Setting | 1 - 9 (9 Highest) |
| Multi- Streaming | User setting of Stream 1/2 at supported Resolutions, Stream3 MJPEG Stream |
| Brightness / Sharpness | Variable 0~100 / 0~100 |
| Gain Control | Auto / Fixed 8~102db |
| Orientation | Horizontal Mirror / Vertical Flip |
| Text Overlay | Time / Date / Camera / Custom OSD |
| Masking | 5 User defined masking areas < 8% of total picture |
| NETWORK | |
| Ethernet | 1 Ethernet (10/100 Base-T) RJ-45 Connector |
| TCP/IP | IPv4 / IPv6 (DHCP / Fixed) |
| Compliance | Onvif v2.2 Profile-S Listed |
| RTSP Video | Standard RFC2326, Support QuickTime / VLC Player. User security authentication (Enabled / Disabled) |
| Web Language | English, Chinese, Russian, Polish, (European Languages coming 2013) |
| Recording Simultaneous. | Local Micro SD Memory, Remote FTP server, TCP/UDP CMS, RTSP connection (stream 1,2 or 3) |
| Network Protocols: | HTTP, TCP/IP, UDP/IP, RTSP, FTP, DHCP, NTP, PPoE, NTP, Unicast and Multicast supported. |
| Memory Card Slot | Internal memory card supports Max 64GB. Supports Edge Recording |
| AUDIO | |
| Input / Output | 1 x RCA Input / 1 x RCA Output @ 1v Line Level |
| Audio Compression | G711 A-Law, G711 U-Law, RAW_PCM |
| GENERAL | |
| Power | 12V DC @ 520mA (IR LED On) / PoE Class 3 |
| Temperature | Operating: 14 °F to 131 °F (-10 °C to 55 °C) Storage: -4 °F to 140 °F (-20 °C to 60 °C) |
| Operating Humidity | 10% - 85% RH |
| Approvals | CE / FCC / RoHS Compliant / IP66 / IK10 |
| Product Dimensions | 130 x 112 mm (5.1" x 4.4") |