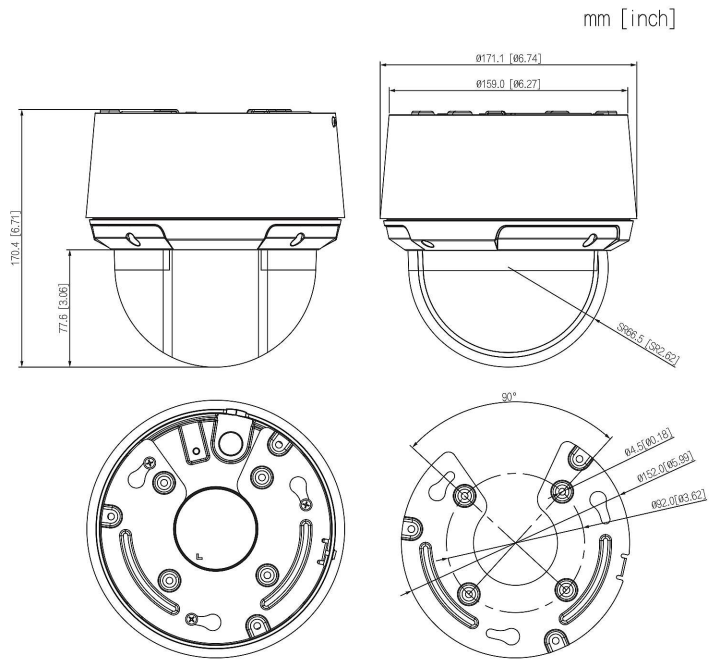


# EYEMAX 25x Starlight IR IP PTZ Camera, WizSense AI



WizSense AI • SMD 3.0 • IR Distance up to 328ft(100m) • Auto Tracking • 5 ~ 125mm • 120dB WDR • IP66

## Mount Accessories

PTZ Ceiling Mount	<a href="#">PTMC E300C</a>
PTZ Wall Mount	<a href="#">PTM E303W</a>
Pole Mount Bracket	<a href="#">CPM E150</a>

## Overview

The camera offers robust optical zoom, precise pan and tilt functions, providing a comprehensive solution for outdoor long-distance video surveillance. Enhanced by infrared illumination and Starlight Technology, it excels in dark and low-light conditions. The camera series features a day and night mechanical IR cut filter, ensuring high-quality images in varying lighting conditions.

## **Starlight Technology**

Starlight technology employs advanced image and optical processing, delivering vivid, colorful video in low-light environments. Its versatility extends to various low-light settings.

## **Wide Dynamic Range**

The camera excels in high-contrast lighting with industry-leading WDR technology, capturing vivid images. It adapts swiftly to changing light conditions, ensuring superior video quality in scenes with varying brightness.

## **Perimeter Protection**

It automatically filters false alarms from animals, leaves, and bright lights. It employs secondary recognition during target detection, enhancing alarm accuracy.

## **Auto-tracking**

Its feature automates camera pan/tilt/zoom to track moving objects and maintain visibility. It triggers via rules, whether manual or automatic. Upon rule activation, the camera zooms and tracks the designated target seamlessly.

## **PFA Technology**

PFA technology enhances focus accuracy and predictability. Advanced algorithms ensure clear images during zooming, reducing focus time. This innovation elevates the camera's capabilities, significantly enhancing your experience.

## **SMD**

Deep-Learning Algorithms empower SMD to eliminate motion detection alarms from non-concerning

# EYEMAX 25x Starlight IR IP PTZ Camera, WizSense AI

targets. It swiftly identifies humans and vehicles, activating alarms for intrusions.

## Environment

Designed for extreme conditions, it operates in temperatures from -40°C to +65°C (-40°F to +149°F) with 95% humidity. Rigorously tested for dust and water immersion, it's earned an IP66 Ingress Protection certification, ideal for challenging outdoor uses.

## FEATURES

- 1/2.8" 4Megapixel STARVIS™ CMOS.
- 25x optical zoom.
- Starlight technology.
- Max. 25/30fps@4MP.
- IR distance up to 100m.
- Auto-tracking.
- Perimeter protection.
- Face detection.
- SMD 3.0.
- IP66.

## SPECIFICATIONS

Camera	
Image Sensor	1/2.8" CMOS
Pixel	4 MP
Max. Resolution	2560 × 1440
ROM	128 MB
RAM	512 MB
Electronic Shutter Speed	1/1s-1/30,000s
Scanning System	Progressive

# EYEMAX 25× Starlight IR IP PTZ Camera, WizSense AI

Min. Illumination	Color: 0.005lux@F1.6 B/W: 0.0005lux@F1.6 0Lux (IR on)
Illumination Distance	100 m (328.08 ft) (IR)
Illuminator On/Off Control	Zoom Prio; Manual; Smart IR; Off
Illuminator Number	6 (IR)
<b>Lens</b>	
Focal Length	5 ~ 125 mm
Max. Aperture	F1.6 - F3.6
Field of View	Pan: 51.9°-3.0° Tilt: 39.7°-2.2° Rotation: 63.1°-3.7°
Optical Zoom	25×
Focus Control	Auto; semi-auto; manual
Close Focus Distance	0.5 m-5 m (1.64 ft-16.40ft)
Iris Control	Auto; manual; fixed
DORI Distance	Detect: 2500 m (8202.10 ft) Observe: 987.5 m (3239.83 ft) Recognize: 500 m (1640.42 ft) Identify: 250 m (820.21 ft)
<b>PTZ</b>	
Pan/Tilt Range	Pan: 0° to 360° endless Tilt: -5° to +90°, auto flip 180°
Manual Control Speed	Pan: 0.1°/s-240°/s Tilt: 0.1°/s-160°/s
Preset Speed	Pan: 240°/s; Tilt: 160°/s
Preset	300
Tour	8 (up to 32 presets per tour)
Pattern	5
Scan	5
Power-off Memory	Yes
Idle Motion	Pattern; Preset; Scan; Tour
<b>Intelligence</b>	

# EYEMAX 25x Starlight IR IP PTZ Camera, WizSense AI

IVS (Perimeter Protection)	Tripwire; intrusion; crossing fence detection; loitering detection; abandoned/missing object; fast moving; parking detection; people gathering; vehicle/human alarm classification; linkage tracking
Face Detection	Supports face detection, face track box, capturing pictures, face enhancement; Supports face cutout: Face, one-inch photo. Capturing strategies include real-time capturing and quality first
Auto Tracking	Yes
SMD	Yes
<b>Video</b>	
Video Compression	H.264H; H.264B; Smart H.265+; H.264; H.265; MJPEG(Sub Stream); Smart H.264+
Streaming Capability	3 streams
Resolution	4M (2560 × 1440); 3M (2304 × 1296); 1080P (1920 × 1080); 1.3M (1280 × 960); 720P (1280 × 720); D1 (704 × 576); VGA (640 × 480); CIF(352 × 288)
Video Frame Rate	Main stream: 4M/3M/1080p/1.3M/720p @(1-25/30 fps) Sub stream 1: D1/VGA/CIF@ (1-25/30 fps) Sub stream 2: 720p/CIF @(1-25/30 fps)
Bit Rate Control	CBR/VBR
Video Bit Rate	H.264: 2816 kbps-13056 kbps H.265: 1024 kbps-7936 kbps
Day/Night	Auto (ICR)/Color/B/W
BLC	Yes
WDR	120 dB
HLC	Yes
White Balance	Auto; indoor; outdoor; ATW; manual; sodium lamp; natural light; street lamp
Gain Control	Auto; manual
Noise Reduction	2D NR; 3D NR
Motion Detection	Yes
Region of Interest (RoI)	Yes
Image Stabilization	Electronic (EIS)
Defog	Electronic
Digital Zoom	16x
Image Rotation	180°

# EYEMAX 25x Starlight IR IP PTZ Camera, WizSense AI

Privacy Masking	Up to 24 areas can be set, with up to 8 areas in the same view
S/N Ratio	≤ 55 dB
<b>Audio</b>	
Audio Compression	G.711a; G.711Mu; G.726; MPEG2-Layer2; G722.1; PCM
<b>Network</b>	
Network Port	RJ-45 (10/100 Base-T)
Network Protocol	TCP; FTP; RTMP; IPv6; Bonjour; IPv4; DNS; RTCP; PPPoE; NTP; RTP; 802.1x; HTTPS; SNMP; TCP/IP; DDNS; UPnP; NFS; ICMP; UDP; IGMP; IP Filter; HTTP; SSL; DHCP; SMTP; SNMPv1/v2c/v3(MIB-2); Qos; RTSP; ARP
Interoperability	CGI; SDK; ONVIF (Profile S&G&T); P2P
Streaming Method	Unicast/Multicast
User/Host	20 (total bandwidth: 64 M)
Storage	Micro SD card (512 GB); FTP/SFTP; NAS
Browser	IE 9 and later versions Chrome 41 and later versions Firefox 50 and later versions iOS 10 and later versions
Management Software	Player; DSS; Smart Player ; DMSS; Easy4ip; ConfigTool; NVR; Smart PSS; IVSS
Mobile Client	iOS; Android
<b>Certification</b>	
Certifications	CE: EN55032/EN55024/EN50130 ~ 4 FCC: Part15 subpartB, ANSI C63.4 ~ 2014
<b>Port</b>	
Audio Input	1 channel (LINE IN, bare wire)
Audio Output	1 channel (LINE OUT, bare wire)
Alarm Linkage	Capture; preset; tour; pattern; recordings on SD card; alarm digital input; send email; wake
Alarm Event	Motion/Tampering detection; audio detection; network disconnection detection; IP conflict detection; memory card state detection; memory space detection; power exception detection
Alarm I/O	2/1
Audio I/O	1/1
<b>Power</b>	

# EYEMAX 25x Starlight IR IP PTZ Camera, WizSense AI

Power Supply	12 VDC/2 A $\pm$ 10% (included) PoE+ (802.3at)
Power Consumption	Basic: 9.5 W Max.: 21.5 W (illuminator on + fan on + PTZ)
<b>Environment</b>	
Operating Temperature	-40°C to +65°C (-40°F to +149°F)
Operating Humidity	$\leq$ 95%
Storage Temperature	-40°C to +65°C (-40°F to +149°F)
Storage Humidity	$\leq$ 95%
Protection	IP66, TVS 6000 V lightning proof; surge protection; voltage transient protection
<b>Structure</b>	
Product Dimensions	168.0 mm $\times$ $\Phi$ 171.1 mm (6.61" $\times$ $\Phi$ 6.74")
Net Weight	2.5 kg (5.51 lb)
Gross Weight	3.2 kg (7.05 lb)