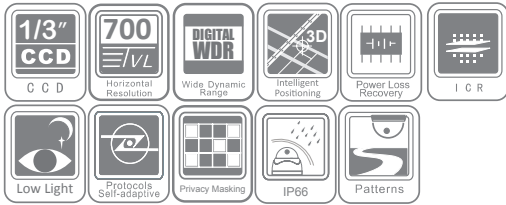


# PTZ777X27IR

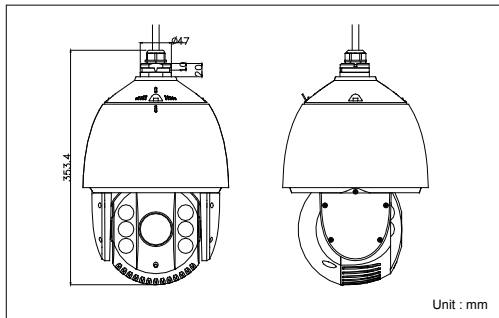
## 700TVL IR PTZ Dome Camera



### Key features

- 1/3" CCD
- 700TVL horizontal resolution
- 27X optical zoom, 16X digital zoom
- 330ft(100m) IR distance
- True Day/Night, Digital WDR
- 3D intelligent positioning

### Dimensions



PTZ777X27IR	
<b>Camera</b>	
Image Sensor	1/3" CCD
Effective Pixel	976(H)×494(V)
Horizontal Resolution	Color: 700 TVL, B/W: 750TVL
Min.illumination	Color: 0.02Lux/(F1.6, AGC ON), 0.0008Lux/(F1.6, AGC ON, sensitivity×256) B/W: 0.002Lux/(F1.6, AGC ON), 0.00008Lux/(F1.6, AGC ON, sensitivity×256) 0 Lux with IR
White Balance	Auto / Manual / ATW/ Indoor / Outdoor
AGC	Auto / Manual
S / N Ratio	≥ 50dB
Digital Noise Reductio	DNR
Wide Dynamic Range	128X Digital WDR
Shutter Speed	1 ~1/10,000s
Day & Night	IR Cut Filter
Digital Zoom	16X
Privacy Mask	Up to 8 zones, maximum 8 zones on a same image, multiple colors and mosaics optional
Focus Model	Auto / Semiautomatic / Manual
<b>Lens</b>	
Focal Length	4 ~ 108mm, 27X
Zoom Speed	Approx 4.0s(Optical Wide-Tele)
Angle of View	57.58~3.12 degree(Wide-Tele)
Min. Working Distance	10 ~1000mm (Wide-Tele)
Aperture Range	F1.6 ~ F3.7
<b>Pan and Tilt</b>	
Pan / Tilt Range	Pan: 360° endless;Tilt:-15° ~90° (Auto Flip)
Pan / Tilt Speed	Pan Manual Speed: 0.1° ~160° /s, Pan Preset Speed: 240° /s Tilt Manual Speed: 0.1° ~120° /s, Tilt Preset Speed: 200° /s
Proportional Zoom	Rotation speed can be adjusted automatically according to zoom multiples
Number of Preset	256
Patrol	8 patrols, up to 32 presets per patrol
Pattern	4 patterns, with the total recording time not less than 10 minutes
Power-off Memory	Support
Park Action	Preset / Patrol / Pattern / Pan / Tilt / Auto / Random / Frame / Panorama scan
PTZ Position Display	On / Off
Compass	Support , the north can be set
Scheduled Task	Preset / Patrol / Pattern / Pan / Tilt / Auto / Random / Frame / Panorama scan
<b>Infrared</b>	
IR Range	Up to 100m
IR irradiation angle	Automatically adjusted, depending on the zoom ratio
<b>Input/ Output</b>	
Video Output	1.0V[p-p] / 75Ω, BNC
<b>General</b>	
RS-485 Protocols	HIKVISION, Pelco-P, Pelco-D, self-adaptive
Power	24 VAC Max.30W(IR On, Heater On); Max.24W(IR On); Max.15W(IR Off, Heater Off)
Working Temperature	-22° F ~149° F(-30° C ~65° C)
Humidity	90% or less
Protection Level	IP66 standard TVS 4,000V lightning protection, surge protection and voltage transient protection
Dimensions	Φ9.65" × 15.71" (Φ245 × 399mm without bracket)
Weight (approx.)	12.13lbs (5.5kg)