

full HD TVI

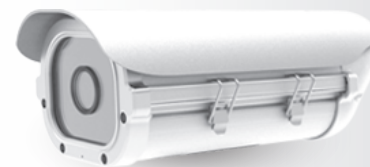
LICENSE PLATE CAMERA

1/2.9 inch SONY CMOS (IMX-222) / Resolution (1080P, 720P, 720P CROP)

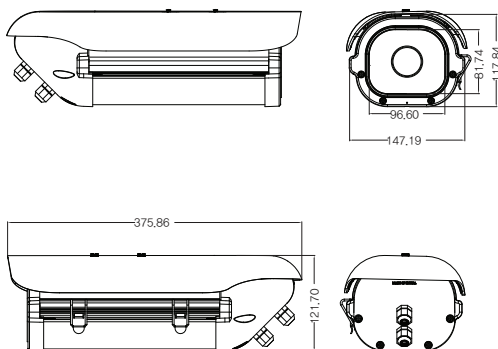
TVI (Transport Video Interface) / 0 Lux at IR On (IR LED / Mixed LED (option) / Hi-Power LED)

Smart IR / DNR (Digital Noise Reduction) / True Day & Night (ICR) / Option (RS-485) / Easy Installation

DC Auto IRIS V/F Lens 7~12mm



BULLET DIMENSIONS (mm)



MODEL	TLP P2112V-W
RESOLUTION	1080P, 720P, 720P CROP
SENSOR	1/2.9 inch SONY CMOS (IMX-222)
TOTAL PIXELS	2000(H) x 1241(V) = 2,482,000
EFFECTIVE PIXELS	1944(H) X 1092(V) = 2,122,648
SCANNING SYSTEM	PROGRESSIVE
S/N (Y SIGNAL)	More than 52 dB (AGC Off)
VIDEO OUTPUT	TVI / (CVBS: 1.0Vp-p (75ohm) : Option)
MIN.ILLUMINATION	0 Lux at IR On
WHITE BALANCE	AUTO / AUTO EXT / PRESET / MANUAL
SHUTTER	AUTO / MANUAL (1/30sec ~ 1/60,000sec)
BRIGHTNESS	ADJUSTABLE (0 ~ 20 STEP)
SENS_UP	OFF / X2 / X3 / X4 / X5 / X6 / X7 / X8
DNR	OFF / LOW / MIDDLE / HIGH
BACKLIGHT	OFF / WDR / BLC / HLM
ACE	OFF / LOW / MIDDLE / HIGH
DAY & NIGHT	AUTO (Day <-> Night TIME Change) , COLOR , B/W, EXTERN, MDIR (SEARCH Option)
PRIVACY	OFF / ON (16 Zone)
MOTION	OFF / SET
D.ZOOM	0 ~ 127
FLIP	OFF / ON
FREEZE	OFF / ON
LANGUAGE	ENG, CHN, CHN(S), JPN, KOR
SHARPNESS	ADJUSTABLE (0 ~ 10 STEP)
DEFOG	OFF / SET
COMM	RS-485 (PELCO-D)
SMART IR (IR PRODUCT SPEC.)	ADJUSTABLE (0 ~ 20 STEP)
OPERATING TEMPERATURE / HUMIDITY	-10°C~+50°C / 30%~80% RH
STORAGE TEMPERATURE / HUMIDITY	-20°C~+60°C / 20%~90% RH
POWER	DC12V [AC24V / DC12V DualPower & AC220V (option)]
SIGNAL TRANSMISSION	The distant difference is occurred according to cable option and other circumstances. (coaxial cable 300M)