

# full HD TVI

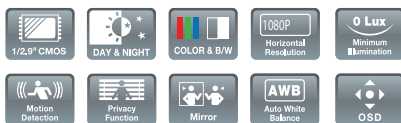
## ADVANCED IR LED OUTDOOR CAMERA

1/2.9 inch SONY CMOS (IMX-222) / Resolution (1080P, 720P, 720P CROP)

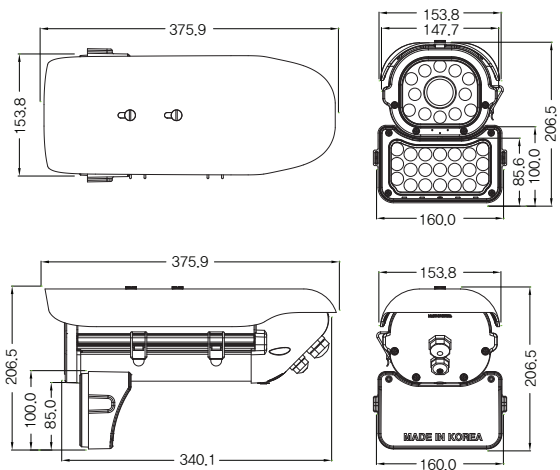
Transport Video Interface / 0 Lux at IR On ( IR LED / Mixed LED (option) / Hi-Power LED)

OSD Controlled / Smart IR / Day & Night (ICR Option) / D.ZOOM / Privacy / Image Conversion / Easy Installation

DC Auto IRIS V/F Lens 6~50mm



### BULLET DIMENSIONS (mm)



MODEL	HPOD 72H33V / HPOD 75H33
Resolution	1080P, 720P, 720P CROP
Sensor	1/2.9 inch SONY CMOS (IMX-222)
Total Pixels	2000(H) x 1241(V) = 2,482,000
Effective Pixels	1944(H) X 1092(V) = 2,122,648
Scanning System	PROGRESSIVE
S/N (Y signal)	More than 52 dB (AGC Off)
Video Output	TVI / (CVBS: 1.0Vp-p (75ohm) : Option)
Min.Illumination	0 Lux at IR On
White Balance	AUTO / AUTO EXT / PRESET / MANUAL
shutter	AUTO / MANUAL (1/30sec ~ 1/60,000sec)
Brightness	ADJUSTABLE (0 ~ 20 STEP)
BACKLIGHT	OFF / BLC / HLM
ACE	OFF / LOW / MIDDLE / HIGH
Day & Night	AUTO (Day <-> Night TIME Change) , COLOR , B/W, EXTERN
Privacy	OFF / ON (16 Zone)
Motion	OFF / SET
D.ZOOM	0 ~ 127
FLIP	OFF / ON
FREEZE	OFF / ON
Language	ENG, CHN, CHN(S), JPN, KOR
Sharpness	ADJUSTABLE (0 ~ 10 STEP)
DEFOG	OFF / SET
COMM	RS-485 (PELCO-D)
SMART IR (IR product SPEC.)	ADJUSTABLE (0 ~ 20 STEP)
Operating Temperature / Humidity	-10°C~+50°C / 30%~80% RH
Storage Temperature / Humidity	-20°C~+60°C / 20%~90% RH
Power	DC12V Only (Over 3A)
signal Transmission	The distant difference is occurred according to cable option and other circumstances. (coaxial cable 300M)