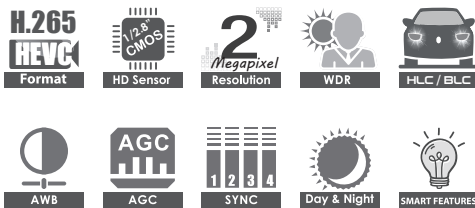


UN-IPC2222ER5DUPF40C

2MP Starlight Bullet Network Camera

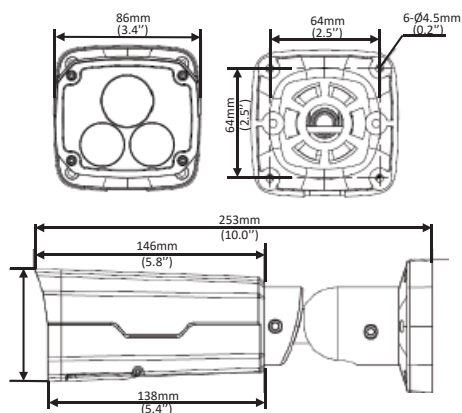
Specifications



Key Features

- 1/2.8" HD CMOS Sensor
- Up to 1920 × 1080 resolution, 30fps
- 4 / 6mm Fixed Lens
- WDR, Smart IR, Distance: 50m
- Alarm I/O, Audio I/O, ONVIF
- DC 12V / PoE
- IP67

Dimensions



Design and specifications are subject to change without notice.

Model	UN-IPC2222ER5DUPF40C	UN-IPC2222ER5DUPF60C
Camera		
Sensor	1/2.8", 2.0MP CMOS Sensor	
Lens	4.0mm@F1.2	6.0mm@F1.2
Angle of View(H)	76.6°	51.6°
Shutter	Auto/Manual, 1/6~1/100000 s	
Min. Illumination	Colour: 0.0005Lux (F1.2, AGC ON), 0 Lux with IR on	
IR Range	Up to 50m (164 ft) IR range	
Day/Night	IR-cut filter with auto switch (ICR)	
S/N	>52dB	
WDR	Optical WDR (up to 120 dB)	
Noise Reduction	2D/3D	
Video		
Max. Resolution	1920×1080	
Video Compression	H.265, H.264, MJPEG	
Frame Rate	1080P (1920*1080): Max. 30 fps; 720P (1280*720): Max. 30 fps; D1 (720*576): Max. 8 fps	
Video Streaming	Triple	
9:16 Corridor Mode	Supported	
ROI	Supported	
HLC	Supported	
Evaluative Metering	Supported	
OSD	Up to 8 OSDs	
Privacy Mask	Up to 8 areas	
Smart		
Behavior Detection	Intrusion, crossing line, motion detection	
Intelligent Identification	Face detection, Defocus, Scene Change	
Statistical Analysis	People counting	
Storage		
Edge Storage	Micro SD, up to 128 GB	
Network		
Protocols	L2TP, IPv4, IGMP, ICMP, ARP, TCP, UDP, DHCP, PPPoE, RTP, RTSP, RTCP, DNS, DDNS, NTP, FTP, UPnP, HTTP, HTTPS, SMTP, 802.1x	
Compatible Integration	ONVIF, API	
Interface		
Network	1 RJ45 10M/100M Base-TX Ethernet	
General		
Power	12 V DC, or PoE (IEEE802.3 af) Power consumption: Max 9 W	
Dimensions (L × W × H)	253.4 × 86 × 71.7 mm (9.98" × 3.4" × 2.8")	
Weight	0.58kg (1.28lb)	
Working Environment	-35°C ~ +60°C (-31°F ~ 140°F), Humidity ≤ 95% RH(non-condensing)	
Ingress Protection	IP67	

www.EasternCCTV.com

Headquarters

50 Commercial St.,
Plainview, NY 11803

TEL: 516-870-3779 FAX: 516-390-1200

Queens, NY

129-04 14th Ave.,
College Point, NY 11356

TEL: 718-939-2710 FAX: 718-939-2713

E. Los Angeles, CA

110 California Ave.,
City of Industry, CA, 91744

TEL: 626-961-8810 FAX: 626-961-8809

N. Hollywood, CA

13761 Saticoy St.
Panorama City, CA 91402

TEL: 818-924-9021 FAX: 818-849-5127

Miami, FL

4515 NW 72nd Ave.
Miami, FL 33166

TEL: 305-423-1329 FAX: 786-717-7282

Houston, TX

3790 Westchase Dr.,
Houston, TX 77042

TEL: 832-308-5282 FAX: 832-925-7454