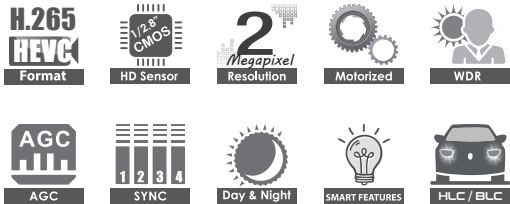


UN-IPC2324EBRDPZ28

4MP Motorized Network IR Bullet Camera

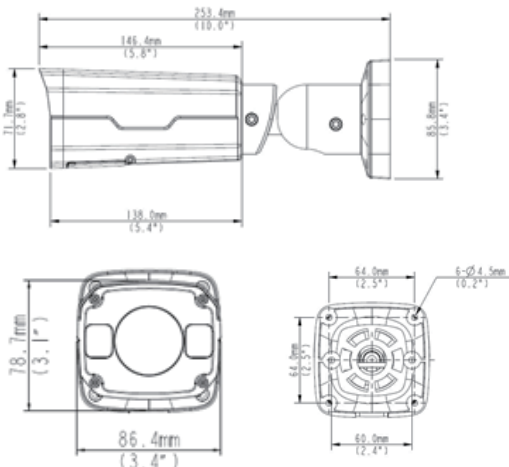
Specifications



Key Features

- H.265 Compression
- 1/3" 4MP CMOS Sensor
- Effective Pixels: 2560 (H) × 1440 (V)
- Smart IR, IR anti-reflection window
- IR Distance is up to 98ft (30M)
- 0.02 lux @F1.8, AGC ON; 0Lux
- 4MP (2592×1520): Max.20 fps
4MP (2560×1440): Max.25 fps
- WDR, 2D/3D DNR
- 2.8~12mm Motorized Lens
- DC 12V/PoE
- IP67

Dimensions



Design and specifications are subject to change without notice.

Model	UN-IPC2324EBRDPZ28
Camera	
Sensor	1/3", 4 megapixel, progressive scan CMOS
Lens	2.8~12mm @F1.4
Angle of View (H)	100~32°
Zoom/Focus	Manual
Shutter	Auto/Manual, 1/6~1/100000 s
Min. Illumination	Colour: 0.02 Lux (F1.4, AGC ON) 0 Lux with IR on
IR Range	Up to 30m (98 ft) IR range
Day/Night	IR-cut filter with auto switch (ICR)
S/N	>55 dB
WDR	Optical WDR (up to 120 dB)
Video	
Max. Resolution	2592 × 1520
Video Compression	H.265, H.264, MJPEG
Frame Rate	4MP (2592×1520): Max. 20 fps; 4MP (2560×1440): Max. 25 fps 3MP (2048×1520): Max. 30 fps; 1080P (1920×1080): Max. 30 fps
9:16 Corridor Mode	Supported
ROI	Supported
Video Streaming	Triple
HLC	Supported
Evaluative Metering	Supported
OSD	Up to 8 OSDs
Privacy Mask	Up to 8 areas
Smart	
Behavior Detection	Intrusion, crossing line, motion detection
Exception Detection	Audio detection
Intelligent Identification	Face detection, Defocus, Scene Change
Statistical Analysis	People counting
Audio	
Audio Compression	G.711
Two-way audio	Supported
Storage	
Edge Storage	Micro SD, up to 128 GB
Network	
Protocols	L2TP, IPv4, IGMP, ICMP, ARP, TCP, UDP, DHCP, PPPoE, RTP, RTSP, RTCP, DNS, DDNS, NTP, FTP, UPnP, HTTP, HTTPS, SMTP, 802.1x
Compatible Integration	ONVIF, API
Interface	
Audio I/O	Audio cable, Input: impedance 35 kΩ; amplitude 2 V [p-p] Output: impedance 600 Ω; amplitude 2 V [p-p]
Alarm I/O	1 / 1
Network	10M/100M Base-TX Ethernet
Video Output	1 BNC, impedance 75 Ω; amplitude 1 V [p-p]
General	
Power	12 V DC, or PoE (IEEE802.3 af), Power consumption: Max 8W
Dimensions (L × W × H)	253.4 × 86 × 71.7 mm (9.98" × 3.4" × 2.8")
Weight	0.58kg (1.28lb)
Working Environment	-35°C ~ +60°C (-31°F ~ 140°F), Humidity ≤ 95% RH(non-condensing)
Ingress Protection	IP67

www.EasternCCTV.com

Headquarters

50 Commercial St.,
Plainview, NY 11803

TEL: 516-870-3779 FAX: 516-390-1200

Queens, NY

129-04 14th Ave.,
College Point, NY 11356

TEL: 718-939-2710 FAX: 718-939-2713

E. Los Angeles, CA

110 California Ave.,
City of Industry, CA, 91744

TEL: 626-961-8810 FAX: 626-961-8809

N. Hollywood, CA

13761 Saticoy St.
Panorama City, CA 91402

TEL: 818-924-9021 FAX: 818-849-5127

Miami, FL

4515 NW 72nd Ave.
Miami, FL 33166

TEL: 305-423-1329 FAX: 786-717-7282

Houston, TX

3790 Westchase Dr.,
Houston, TX 77042

TEL: 832-308-5282 FAX: 832-925-7454