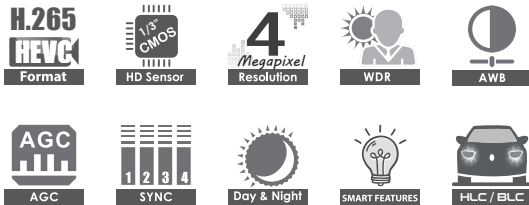


4MP Vandalproof IR Fixed Mini Dome Camera

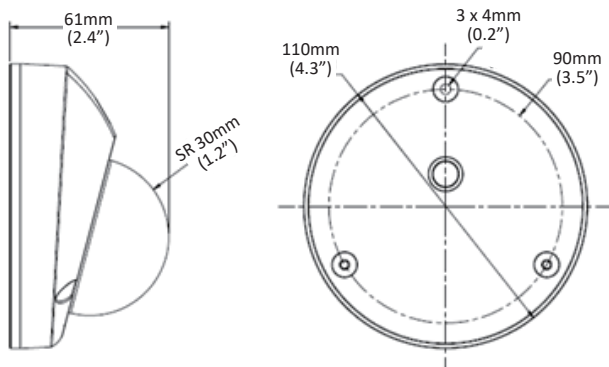
Specifications



Key Features

- 1/3" HD CMOS Sensor
- Up to 2592 x 1520 resolution, 20fps
- 2.8 / 3.6mm Fixed Lens
- WDR, Smart IR, Distance: 30m
- Audio I/O, ONVIF, Built-In Mic , microSD
- DC12V, PoE
- IP66, IK 10

Dimensions



Model	UN-IPC314SRDVPF28	UN-IPC314SRDVPF36
Camera		
Sensor	1/3", 4 megapixel, progressive scan CMOS	
Lens	2.8mm@F2.0	3.6 mm@F2.0
Angle of View (H)	101.8°	76.8°
Shutter	Auto/Manual, 1/6~1/100000 s	
Min. Illumination	Colour: 0.02 Lux (F2.0, AGC ON) 0 Lux with IR	
Day/Night	IR-cut filter with auto switch (ICR)	
S/N	≥55 dB	
WDR	120 dB	
Video		
Max. Resolution	2592 × 1520	
Video Compression	H.265, H.264, MJPEG	
Frame Rate	4MP (2592×1520): Max. 20 fps; 4MP (2560×1440): Max. 25 fps 3MP (2048×1520): Max. 30 fps; 1080P (1920×1080): Max. 30 fps	
Video Streaming	Triple	
9:16 Corridor Mode	Supported	
ROI	Supported	
Evaluative Metering	Supported	
OSD	Up to 8 OSDs	
Privacy Mask	Up to 8 areas	
Smart		
Behavior Detection	Intrusion, crossing line, motion detection	
Exception Detection	Audio detection	
Intelligent Identification	Face detection, Defocus, Scene Change	
Statistical Analysis	People counting	
Storage		
Edge Storage	Micro SD, Up to 128 GB	
Network		
Protocols	L2TP, IPv4, IGMP, ICMP, ARP, TCP, UDP, DHCP, PPPoE, RTP, RTSP, RTCP, DNS, DDNS, NTP, FTP, UPnP, HTTP, HTTPS, SMTP, 802.1x	
Compatible Integration	ONVIF, API	
Interface		
Audio I/O	Audio cable Input: impedance 35 kΩ; amplitude 2 V [p-p] Output: impedance 600 Ω; amplitude 2 V [p-p] Supported	
Network	10M/100M Base-TX Ethernet	
General		
Power	12 V DC±25%, PoE (IEEE 802.3af) Power consumption: 3~5W	
Dimensions (Ø x H)	Ø110 x 61 mm (Ø4.3" x 2.4")	
Weight	0.25 kg (0.55 lb)	
Working Environment	-35°C ~ +60°C (-31°F ~ 140°F), Humidity ≤ 95% RH(non-condensing)	
Ingress Protection	IP66	
Vandal Resistant	IK10	

Design and specifications are subject to change without notice.

www.EasternCCTV.com

Headquarters

50 Commercial St.,
Plainview, NY 11803

TEL: 516-870-3779 FAX: 516-390-1200

Queens, NY

129-04 14th Ave.,
College Point, NY 11356

TEL: 718-939-2710 FAX: 718-939-2713

E. Los Angeles, CA

110 California Ave.,
City of Industry, CA, 91744

TEL: 626-961-8810 FAX: 626-961-8809

N. Hollywood, CA

13761 Saticoy St.
Panorama City, CA 91402

TEL: 818-924-9021 FAX: 818-849-5127

Miami, FL

4515 NW 72nd Ave.
Miami, FL 33166

TEL: 305-423-1329 FAX: 786-717-7282

Houston, TX

3790 Westchase Dr.,
Houston, TX 77042

TEL: 832-308-5282 FAX: 832-925-7454