

Mic

## CMHT2152-28LFA

### 5MP TVI Audio over Coax Dual-Light Fixed Turret Camera

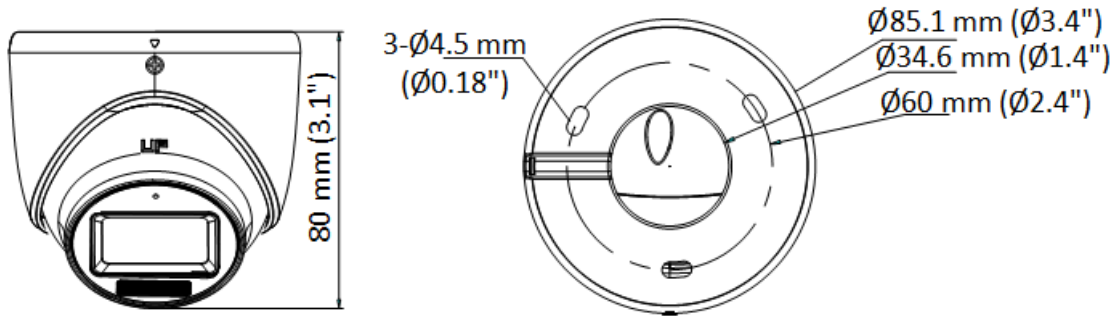


- High quality imaging with 5MP, 2960 × 1665 resolution
- 2.8 mm fixed lens
- Up to 98ft (30 m) IR distance for bright night imaging
- Up to 66ft (20 m) white light distance for night imaging
- One port for four switchable signals (TVI/AHD/CVI/CVBS)
- Water and dust resistant (IP67)
- Built-in microphone for Certain TVI DVRs

## ▪ Specification

Camera	
Image Sensor	3K CMOS
Max. Resolution	2960 (H) × 1665 (V)
Min. Illumination	0.01 Lux @ (F1.2, AGC ON), 0 Lux with IR
Shutter Time	PAL: 1/25 s to 1/50, 000 s; NTSC: 1/30 s to 1/50, 000 s
Day & Night	ICR
Angle Adjustment	Pan: 0 to 360°, Tilt: 0 to 75°, Rotation: 0 to 360°
Signal System	PAL/NTSC
Lens	
Lens Type	2.8 mm fixed focal lens
Focal Length & FOV	2.8 mm, horizontal FOV: 107°, vertical FOV: 64°, diagonal FOV: 129°
Lens Mount	M12
Illuminator	
Supplement Light Type	White Light, IR
Supplement Light Range	IR: Up to 98ft (30 m) White Light: Up to 66ft (20 m)
Image	
Image Settings	Brightness, Sharpness, Smart IR
Frame Rate	TVI: 5MP@20 fps, 4MP@25 fps/30 fps, 1080p@25 fps/30 fps AHD: 5MP@20 fps, 4MP@25 fps/30 fps CVI: 4MP@25 fps/30 fps CVBS: PAL/NTSC
Day/Night Mode	IR/White Light
Wide Dynamic Range (WDR)	Digital WDR
Image Enhancement	Yes
White Balance	Auto/Manual
AGC	Yes
Interface	
Video Output	Switchable TVI/AHD/CVI/CVBS
Audio	Microphone built-in, audio over coax cable
General	
Material	Metal
Dimension	80 mm × Ø85.1 mm (3.1" × Ø3.4")
Weight	Approx. 300 g (0.66 lb.)
Operating Condition	-40 °C to 60 °C (-40 °F to 140 °F), humidity: 90% or less (non-condensation)
Language	English
Power Supply	12 VDC ± 25% <i>*You are recommended to use one power adapter to supply the power for one camera.</i>
Consumption	Max. 2.9 W
Approval	
Protection	IP67

▪ Dimension



▪ Accessory

▪ Optional

LTB378 Vertical Pole Mount	LTB379 Corner Mount	LTB345 Junction box	LTB342-110T Wall mount
