

## LTN8704Q-P4N NVR

### Key Feature

- Up to 4-ch IP camera inputs
- H.265+/H.265/H.264+/H.264 video formats
- Up to 1-ch@8 MP/5-ch@1080p decoding capacity
- Up to 40 Mbps incoming bandwidth



### Professional and Reliability

- H.265+ compression effectively reduces the storage space by up to 75%

### HD Video Output

- Provide simultaneous HDMI and VGA outputs
- HDMI video output at up to 4K resolution

### Storage and Playback

- 1 SATA interface for HDD connection (up to 8 TB capacity per HDD)
- Smart search/smart playback to improve the playback efficiency

### Smart Function

- Support multiple VCA (Video Content Analytics) events
- Configurable special camera smart functions, such as VCA detection (motion, line crossing, intrusion, etc.), heat map, ANPR, and people counting

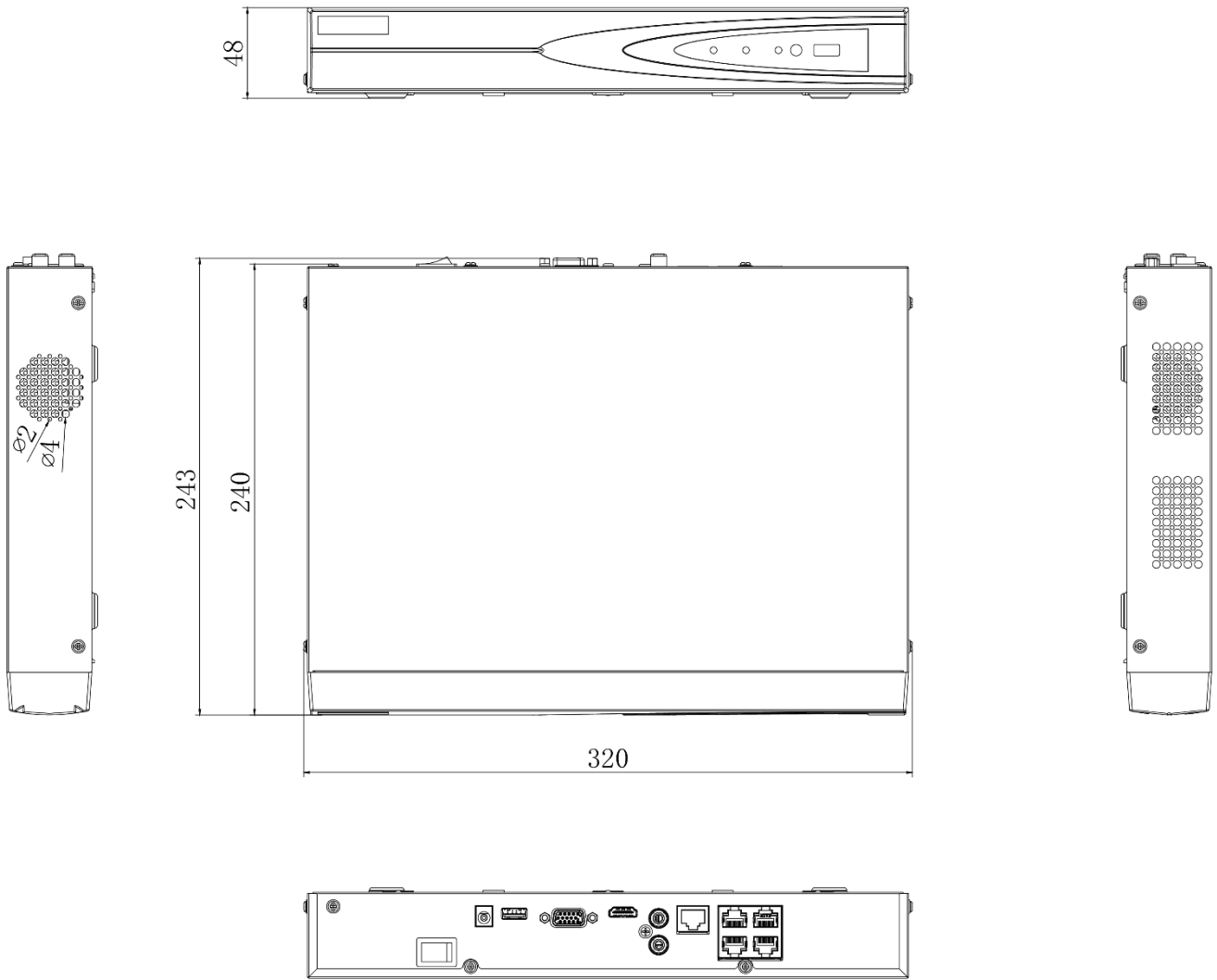
### Network & Ethernet Access

- 4 independent PoE network interfaces
- 1 self-adaptive 10/100 Mbps Ethernet interface
- LTS-Connect & DDNS (Dynamic Domain Name System) for easy network management

## Specification

<b>Model</b>	<b>LTN8704Q-P4N</b>
<b>Video and Audio</b>	
<b>IP video input</b>	4-ch Up to 8 MP resolution
<b>Incoming bandwidth</b>	40 Mbps
<b>Outgoing bandwidth</b>	80 Mbps
<b>HDMI output</b>	1-ch, 4K (4096 x 2160)/30 Hz, 4K (3840 x 2160)/30 Hz, 2K (2560 x 1440)/60 Hz, 1920 x 1080/60 Hz, 1600 x 1200/60 Hz, 1280 x 1024/60 Hz, 1280 x 720/60 Hz
<b>VGA output</b>	1-ch, 1920 x 1080/60 Hz, 1280 x 1024/60 Hz, 1280 x 720/60 Hz
<b>Video output mode</b>	HDMI/VGA simultaneous output
<b>CVBS output</b>	N/A
<b>Audio output</b>	1-ch, RCA (Linear, 1 KΩ)
<b>Two-way audio input</b>	1-ch, RCA (2.0 Vp-p, 1 KΩ, using the audio input)
<b>Decoding</b>	
<b>Decoding format</b>	H.265+/H.265/H.264+/H.264
<b>Recording resolution</b>	8 MP/6 MP/5 MP/4 MP/3 MP/1080p/UXGA/720p/VGA /4CIF/DCIF/2CIF/CIF/QCIF
<b>Synchronous playback</b>	4-ch
<b>Capability</b>	1-ch@8 MP (30 fps)/5-ch@1080p (30 fps)
<b>Stream type</b>	Video, Video & Audio
<b>Audio compression</b>	G.711ulaw/G.711alaw/G.722/G.726
<b>Network</b>	
<b>Remote connection</b>	16
<b>Network protocol</b>	TCP/IP, DHCP, IPv4, IPv6, DNS, DDNS, NTP, RTSP, SADP, SMTP, SNMP, NFS, iSCSI, ISUP, UPnP™, HTTP, HTTPS
<b>Network interface</b>	1, RJ-45 10/100 Mbps self-adaptive Ethernet interface
<b>PoE</b>	
<b>Interface</b>	4, RJ-45 10/100 Mbps self-adaptive Ethernet interface
<b>Power</b>	≤ 50 W
<b>Supported standard</b>	IEEE 802.3 af/at
<b>Auxiliary Interface</b>	
<b>SATA</b>	1 SATA interface
<b>Capacity</b>	Up to 8 TB capacity for each disk
<b>USB interface</b>	Front panel: 1 x USB 2.0; Rear panel: 1 x USB 2.0
<b>General</b>	
<b>Power supply</b>	48 VDC, 1.35 A
<b>Consumption (without HDD and PoE off)</b>	≤ 10 W
<b>Working temperature</b>	-10 °C to 55 °C (14 °F to 131 °F)
<b>Working humidity</b>	10% to 90%
<b>Dimension (W x D x H)</b>	320 x 240 x 48 mm (12.4" x 9.4" x 1.9")
<b>Weight (without HDD)</b>	≤ 1 kg (2.2 lb)

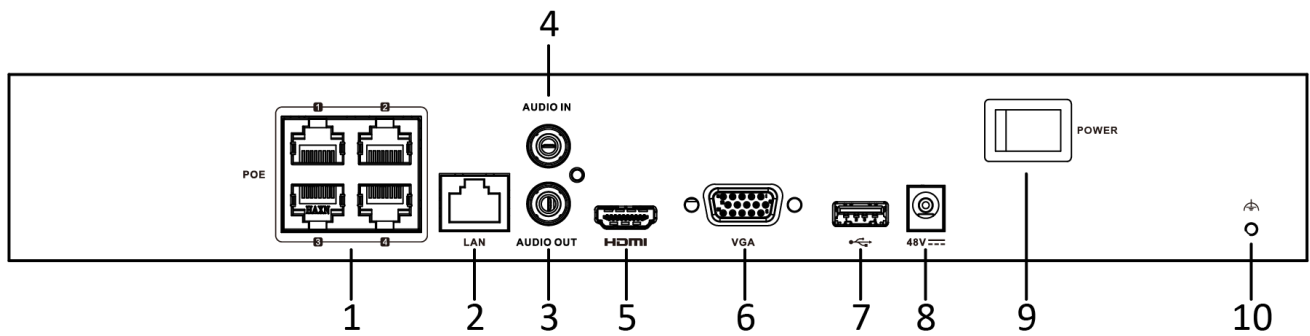
## Dimension



scale/1:1;Unit/mm



## Physical Interface



No.	Description	No.	Description
1	PoE Interfaces	6	VGA Output (DB9 Connector)
2	LAN Interface	7	USB Interface
3	AUDIO OUT	8	Power Supply
4	AUDIO IN	9	Power Switch
5	HDMI Interface	10	GND